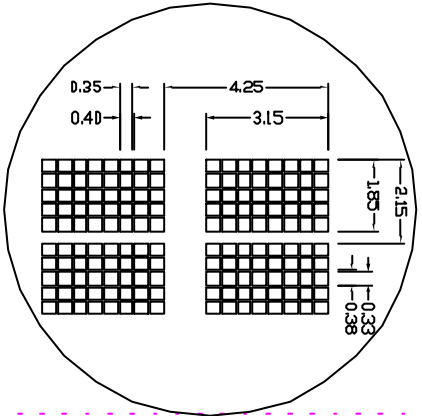
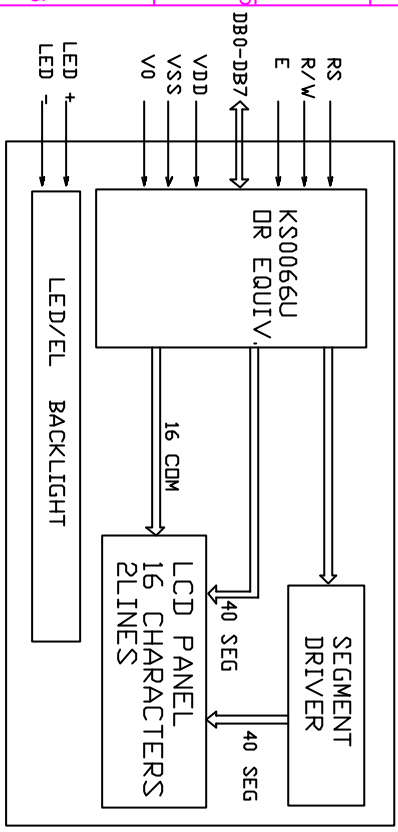
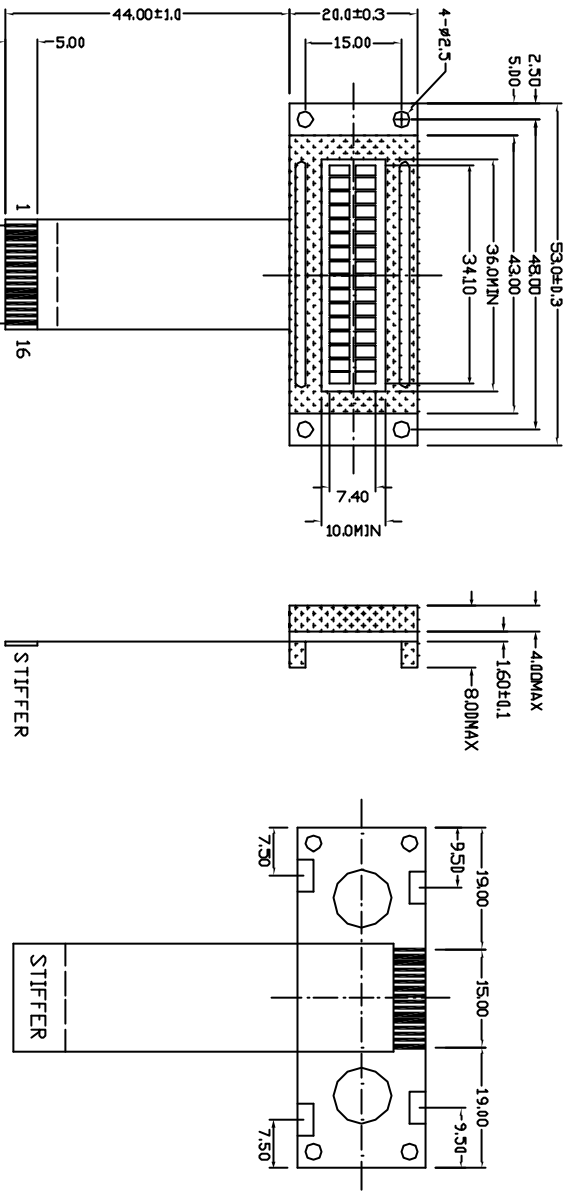


REVISIONS

NO.	DATE	BY	DESCRIPTION
1	01/06/18	ACh	NEW RELEASE



PINS ASSIGNMENT

NO.	SYMBOL	DESCRIPTION
1	VSS	POWER SUPPLY
2	VDD	POWER SUPPLY
3	V0	OPERATING VOLTAGE FOR LCD
4	RS	DATA/INSTRUCTION SELECT
5	R/W	READ/WRITE CONTROL
6	E	ENABLE SIGNAL
7-14	DB0-DB7	DATA BUS
15	LED +	POWER SUPPLY FOR LED BACKLIGHT (↔)
16	LED -	POWER SUPPLY FOR LED BACKLIGHT (↔)

ABSOLUTE MAXIMUM RATING

ITEM	SYMBOL	MIN	MAX	UNIT
POWER SUPPL(Y) LOGIC	VDD-VSS	-0.3	7.0	V
POWER SUPPL(Y) LED DRV	VDD-V0	-0.3	13.5	V
INPUT VOLTAGE	VI	-0.3	VDD	V

ELECTRICAL CHARACTERISTICS (VDD=5.0±0.25V, 25°C)

ITEM	SYMBOL	MIN	TYP	MAX	UNIT
VOLTAGE FOR LOGIC	VDD-VSS	4.75	5.0	5.25	V
SUPPLY CURRENT	IDD	-	1.3	2.2	mA
VOLTAGE FOR LCD	VDD-V0	-	4.8	-	V
INPUT VOLTAGE	VH	2.2	-	VDD	V
	VL	-0.3	-	0.6	V
OUTPUT VOLTAGE	OH	2.4	-	-	V
	OL	-	-	0.4	V

MECHANICAL SPECIFICATIONS

ITEM	SPECIFICATION	UNIT
OVERALL SIZE	53.0W x 20.0H x 8.0	MM
VIEWING AREA	36.0W x 10.0H	MM
CHARACTERS	16 CHARACTERS x 2 LINES	MM
CHARACTER SIZE	1.85W x 3.15H	MM
CHARACTER PITCH	2.15W x 4.25H	MM

- OPTIONS
- LCD TYPE: Y/G STN, GRAY STN, TN
 - BACKLIGHT, WITHOUT BACKLIGHT, LED, EL
 - COLOR OF BACKLIGHT, Y/G, BLUE, WHITE
 - TEMPERATURE RANGE, NORMAL(-20--50°C) EXTENDED(-20--70°C)
 - POWER SUPPLY, 5.0V, 3.0V
 - VIEWING ANGLE, 6H, 12H
 - CHARACTER TABLE, JAPANESE, EUROPEAN, CYRILLIC

NT-C16211A

16 CHARACTERS X 2 LINES



NELY, YOUR SUPPLIER, AND YOUR PARTNER!

ALL DIMENSIONS ARE IN MM. TOLERANCE IS +/-0.2 UNLESS OTHERWISE NOTED.

