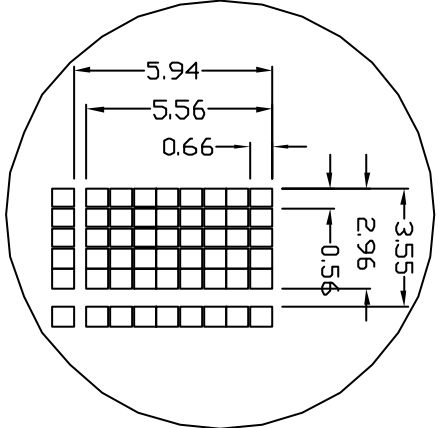
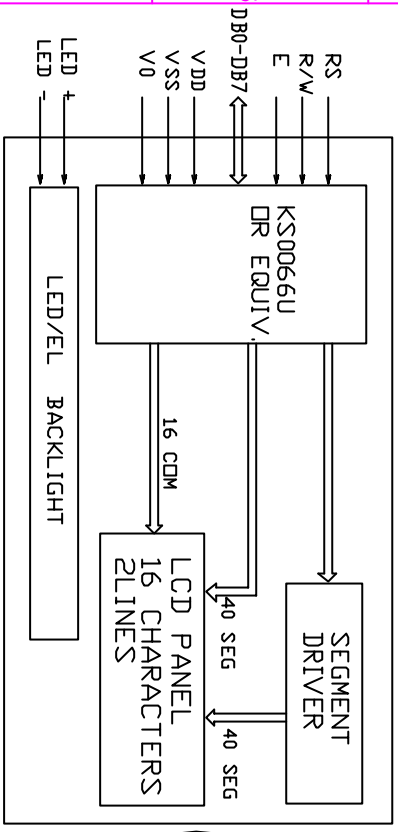


\* FOR LED BACKLIGHT  
 T1=14.0MAX T2=9.0±0.3  
 \* FOR EL OR ND BACKLIGHT  
 T1=10.0MAX T2=5.0±0.3



REVISIONS

NO.	DATE	BY	DESCRIPTION
1	01/06/18	ACH	NEW RELEASE

PINS ASSIGNMENT

NO.	SYMBOL	DESCRIPTION
1	VSS	POWER SUPPLY
2	VDD	POWER SUPPLY
3	V0	OPERATING VOLTAGE FOR LCD
4	RS	DATA/INSTRUCTION SELECT
5	R/W	READ/WRITE CONTROL
6	E	ENABLE SIGNAL
7-14	DB0-DB7	DATA BUS
15	LED +	POWER SUPPLY FOR LED BACKLIGHT (<+>)
16	LED -	POWER SUPPLY FOR LED BACKLIGHT (<->)

ABSOLUTE MAXIMUM RATING

ITEM	SYMBOL	MIN	MAX	UNIT
POWER SUPPLY(VDD)	VDD-VSS	-0.3	7.0	V
POWER SUPPLY(LCD DRV)	VDD-V0	-0.3	13.5	V
INPUT VOLTAGE	VI	-0.3	VDD	V

ELECTRICAL CHARACTERISTICS(VDD=5.0±0.25V, 25°C)

ITEM	SYMBOL	MIN	TYP	MAX	UNIT
VOLTAGE FOR LOGIC	VDD-VSS	4.75	5.0	5.25	V
SUPPLY CURRENT	IDD	-	1.3	2.2	mA
VOLTAGE FOR LCD	VDD-V0	-	4.6	-	V
INPUT VOLTAGE	VIH	2.2	-	VDD	V
	VIL	-0.3	-	0.6	V
OUTPUT VOLTAGE	VOH	2.4	-	-	V
	VOL	-	-	0.4	V

MECHANICAL SPECIFICATIONS

ITEM	SPECIFICATION	UNIT
OVERALL SIZE	72.0V x 36.0H x 14.0T(±0.01)	MM
VIEWING AREA	64.5V x 15.5H	MM
CHARACTERS	16 CHARACTERS x 2 LINES	MM
CHARACTER SIZE	2.96V x 5.56H	MM
CHARACTER PITCH	3.55V x 5.94H	MM

OPTIONS

- LED TYPE: Y/G STN1, GRAY STN1, TN
- BACKLIGHT: WITHOUT BACKLIGHT, LED, EL
- COLOR OF BACKLIGHT: Y/G, BLUE, WHITE
- TEMPERATURE RANGE: NORMAL(0-50°C), EXTENDED(-20-70°C)
- POWER SUPPLY: 5.0V, 3.0V
- VIEWING ANGLE: 6H, 12H
- CHARACTER TABLE: JAPANESE, EUROPEAN, CYRILLIC

NT-C1621A

16 CHARACTERS X 2 LINES



NELY, YOUR SUPPLIER AND YOUR PARTNER!

ALL DIMENSIONS ARE IN MM. TOLERANCE IS +/-0.2 UNLESS OTHERWISE NOTED.

