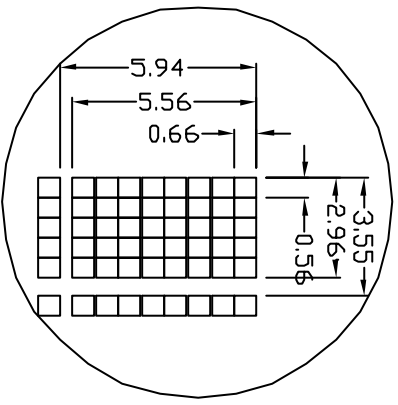
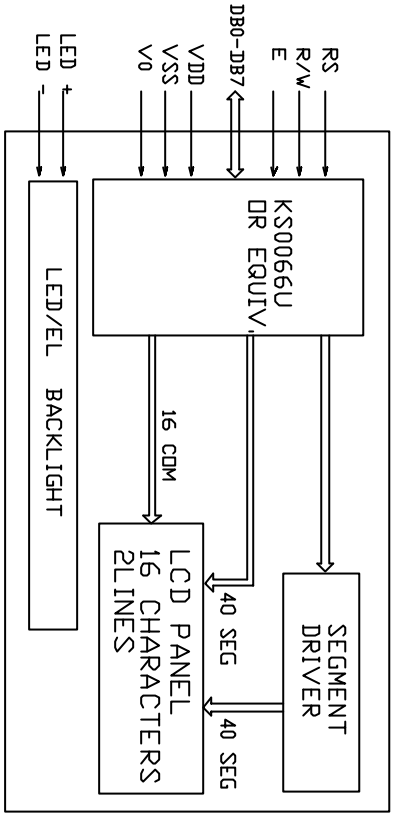


* FOR LED BACKLIGHT
 T1=14.0MAX T2=9.0±0.3
 * FOR EL DR ND BACKLIGHT
 T1=10.0MAX T2=5.0±0.3



REVISIONS

NO.	DATE	BY	DESCRIPTION
1	01/06/18	A/CH	NEW RELEASE

PINS ASSIGNMENT

NO.	SYMBOL	DESCRIPTION
1	VSS	POWER SUPPLY
2	VDD	POWER SUPPLY
3	V0	OPERATING VOLTAGE FOR LCD
4	RS	DATA/INSTRUCTION SELECT
5	R/W	READ/WRITE CONTROL
6	E	ENABLE SIGNAL
7--14	DB0--DB7	DATA BUS
15	LED +	POWER SUPPLY FOR LED BACKLIGHT (+)
16	LED -	POWER SUPPLY FOR LED BACKLIGHT (-)

ABSOLUTE MAXIMUM RATING

ITEM	SYMBOL	MIN	MAX	UNIT
POWER SUPPLY(VDDIC)	VDD-VSS	-0.3	7.0	V
POWER SUPPLY(VLCD DRV)	VDD-V0	-0.3	13.5	V
INPUT VOLTAGE	VI	-0.3	VDD	V

ELECTRICAL CHARACTERISTICS(VDD=5.0±0.25V, 25°C)

ITEM	SYMBOL	MIN	TYP	MAX	UNIT
VOLTAGE FOR LOGIC	VDD-VSS	4.75	5.0	5.25	V
SUPPLY CURRENT	I _{DD}	-	1.3	2.2	mA
VOLTAGE FOR LCD	VDD-V0	-	4.6	-	V
INPUT VOLTAGE	V _{IH}	2.2	-	VDD	V
	V _{IL}	-0.3	-	0.6	V
OUTPUT VOLTAGE	V _{OH}	2.4	-	-	V
	V _{OL}	-	-	0.4	V

MECHANICAL SPECIFICATIONS

ITEM	SPECIFICATION	UNIT
OVERALL SIZE	85.0W x 36.0H x 14.0T(10.0T)	MM
VIEWING AREA	64.3W x 13.5H	MM
CHARACTERS	16 CHARACTERS x 2 LINES	MM
CHARACTER SIZE	2.96W x 5.56H	MM
CHARACTER PITCH	3.55W x 5.94H	MM

- OPTIONS
- LCD TYPE: 1/6 STN, GRAY STN, TN
 - BACKLIGHT: WITHOUT BACKLIGHT, LED, EL
 - COLOR OF BACKLIGHT: 1/6 BLUE, WHITE
 - TEMPERATURE RANGE: NORMAL(-50°C) EXTENDED(-20--70°C)
 - POWER SUPPLY: 5.0V, 3.0V
 - VIEWING ANGLE: 6H, 12H
 - CHARACTER TABLE: JAPANESE, EUROPEAN, CYRILLIC

NT-C1625A

16 CHARACTERS X 2 LINES



NELY, YOUR SUPPLIER, AND YOUR PARTNER!

ALL DIMENSIONS ARE IN MM. TOLERANCE IS ±0.2 UNLESS OTHERWISE NOTED.

