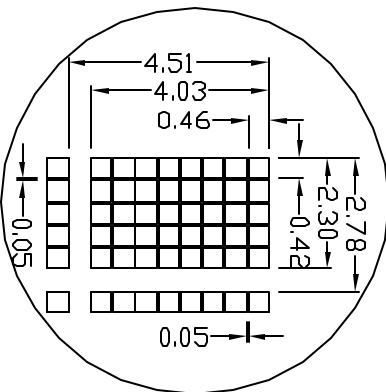
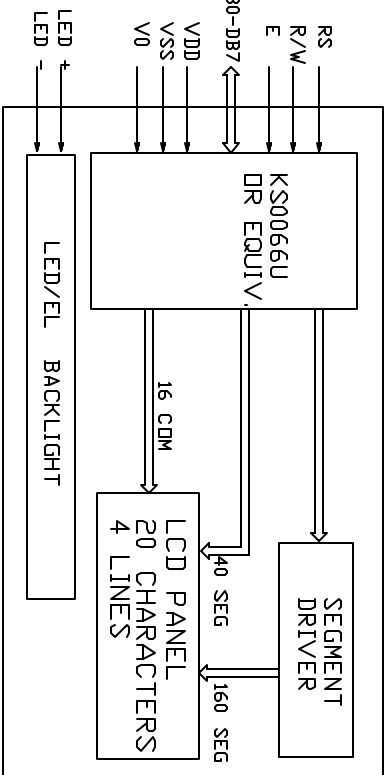


\* FOR LED BACKLIGHT  
 T1=14.0MAX T2=9.0±0.3  
 \* FOR EL OR ND BACKLIGHT  
 T1=10.0MAX T2=5.0±0.3



NT-C2041A

20 CHARACTERS X 4 LINES



NELY, YOUR SUPPLIER, AND YOUR PARTNER!

ALL DIMENSIONS ARE IN MM. TOLERANCE IS +/-0.2 UNLESS OTHERWISE NOTED.

REVISIONS

NO.	DATE	BY	DESCRIPTION
1	01/06/18	A.C.H	NEW RELEASE

PINS ASSIGNMENT			
NO.	SYMBOL	DESCRIPTION	
1	VSS	POWER SUPPLY	
2	VDD	POWER SUPPLY	
3	V0	OPERATING VOLTAGE FOR LCD	
4	RS	DATA/INSTRUCTION SELECT	
5	R/W	READ/WRITE CONTROL	
6	E	ENABLE SIGNAL	
7-14	DB0-DB7	DATA BUS	
15	LED +	POWER SUPPLY FOR LED BACKLIGHT (+)	
16	LED -	POWER SUPPLY FOR LED BACKLIGHT (-)	

ABSOLUTE MAXIMUM RATING			
ITEM	SYMBOL	MIN	MAX
POWER SUPPLY (LOGIC)	VDD-VSS	-0.3	7.0
POWER SUPPLY (LED DRV)	VDD-V0	-0.3	13.5
INPUT VOLTAGE	VI	-0.3	VDD

ELECTRICAL CHARACTERISTICS (VDD=5.0±0.25V, 25°C)				
ITEM	SYMBOL	MIN	TYP	MAX
VOLTAGE FOR LOGIC	VDD-VSS	4.75	5.0	5.25
SUPPLY CURRENT	IDD	-	1.0	2.2
VOLTAGE FOR LED	VDD-V0	-	4.8	-
INPUT VOLTAGE	VI	2.2	-	VDD
INPUT VOLTAGE	VIL	-0.3	-	0.6
OUTPUT VOLTAGE	VOH	2.4	-	-
OUTPUT VOLTAGE	VOL	-	-	0.4

MECHANICAL SPECIFICATIONS		
ITEM	SPECIFICATION	UNIT
OVERALL SIZE	77.0W x 47.0H x 13.5T (Q.0T)	MM
VIEWING AREA	60.0W x 22.0H	MM
CHARACTERS	20 CHARACTERS x 4 LINES	MM
CHARACTER SIZE	2.30W x 4.03H	MM
CHARACTER PITCH	2.78W x 4.51H	MM

OPTIONS	
1. LCD TYPE:	Y/G STN, GRAY STN, TN
2. BACKLIGHT:	WITHOUT BACKLIGHT, LED, EL
3. COLOR OF BACKLIGHT:	Y/G, BLUE, WHITE
4. TEMPERATURE RANGE:	NORMAL (0--50°C) EXTENDED (-20--70°C)
5. POWER SUPPLY:	5.0V, 3.0V
6. VIEWING ANGLE:	6H, 12H
7. CHARACTER TABLE:	JAPANESE, EUROPEAN, CYRILLIC