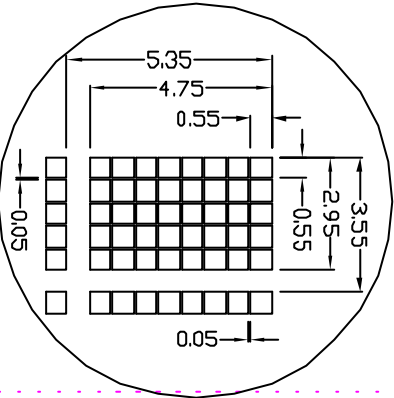
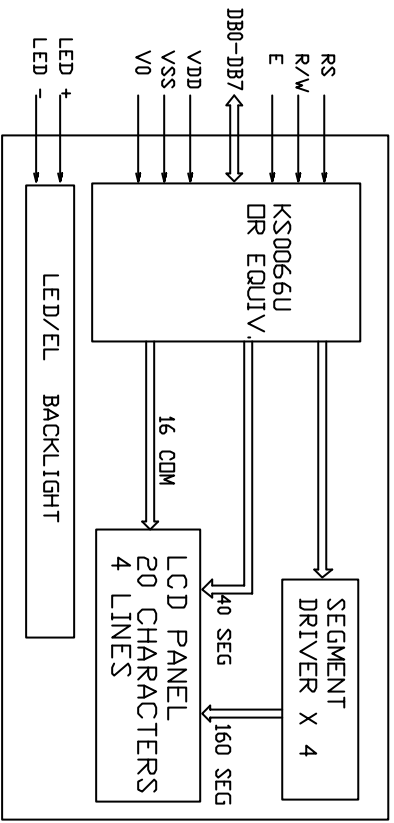


* FOR LED BACKLIGHT
 T1=14.0MAX T2=9.0±0.3
 * FOR EL OR NO BACKLIGHT
 T1=10.0MAX T2=5.0±0.3



NT-C2042A

20 CHARACTERS X 4 LINES

NELY, YOUR SUPPLIER, AND YOUR PARTNER!



ALL DIMENSIONS ARE IN MM. TOLERANCE IS +/-0.2 UNLESS OTHERWISE NOTED.



REVISIONS

NO.	DATE	BY	DESCRIPTION
1	01/06/18	A.CH	NEW RELEASE

PINS ASSIGNMENT			
NO.	SYMBOL	DESCRIPTION	
1	VSS	POWER SUPPLY	
2	VDD	POWER SUPPLY	
3	V0	OPERATING VOLTAGE FOR LCD	
4	RS	DATA/INSTRUCTION SELECT	
5	R/W	READ/WRITE CONTROL	
6	E	ENABLE SIGNAL	
7--14	DB0--DB7	DATA BUS	
15	LED +	POWER SUPPLY FOR LED BACKLIGHT (+)	
16	LED -	POWER SUPPLY FOR LED BACKLIGHT (-)	

ABSOLUTE MAXIMUM RATING			
ITEM	SYMBOL	MIN	MAX
POWER SUPPLY (LOGIC)	VDD-VSS	-0.3	7.0
POWER SUPPLY (LCD DRV.)	VDD-V0	-0.3	13.5
INPUT VOLTAGE	VI	-0.3	VDD

ELECTRICAL CHARACTERISTICS (VDD=5.0±0.25V, 25°C)				
ITEM	SYMBOL	MIN	TYP	MAX
VOLTAGE FOR LOGIC	VDD-VSS	4.75	5.0	5.25
SUPPLY CURRENT (IDD)		-	1.0	2.2
VOLTAGE FOR LCD	VDD-V0	-	4.9	-
INPUT VOLTAGE	VH	2.2	-	VDD
	VL	-0.3	-	0.6
OUTPUT VOLTAGE	VOH	2.4	-	-
	VOL	-	-	0.4

MECHANICAL SPECIFICATIONS		
ITEM	SPECIFICATION	UNIT
OVERALL SIZE	98.0W x 60.0H x 14.0T(10.0T)	MM
VIEWING AREA	76.0W x 28.2H	MM
CHARACTERS	20 CHARACTERS x 4 LINES	MM
CHARACTER SIZE	2.95W x 4.75H	MM
CHARACTER PITCH	3.35W x 5.35H	MM

OPTIONS		
NO.	DESCRIPTION	UNIT
1	LED TYPE: Y/G STN; GRAY STN; TN	
2	BACKLIGHT: WITHOUT BACKLIGHT; LED; EL	
3	COLOR OF BACKLIGHT: Y/G; BLUE; WHITE	
4	TEMPERATURE RANGE: NORMAL(-20--50°C) EXTENDED(-20--70°C)	
5	POWER SUPPLY: 5.0V; 3.0V	
6	VIEWING ANGLE: 6H; 12H	
7	CHARACTER TABLE: JAPANESE; EUROPEAN; CYRILLIC	