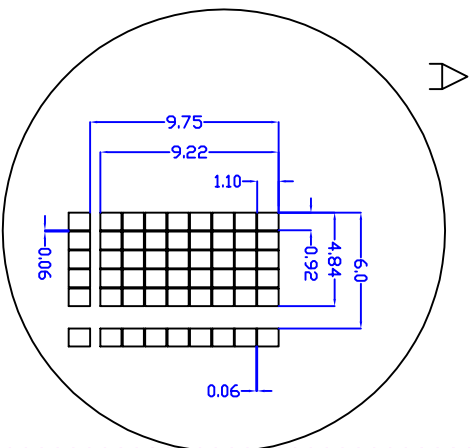
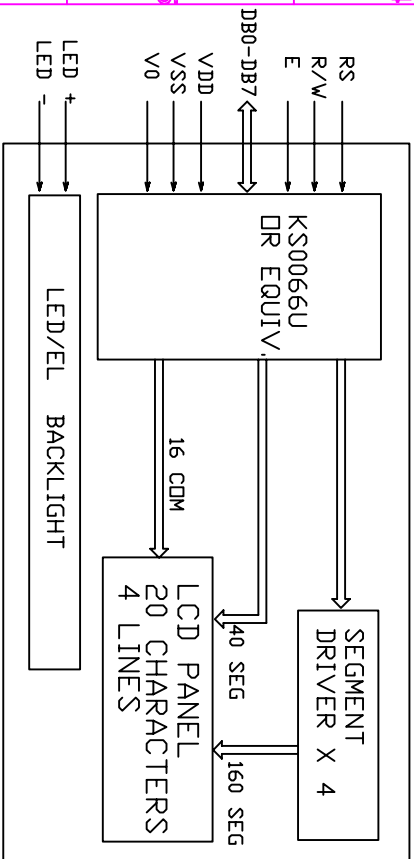


* FOR LED BACKLIGHT
 T1=14.0MAX T2=9.0±0.3
 * FOR EL OR NO BACKLIGHT
 T1=10.0MAX T2=5.0±0.3



PINS ASSIGNMENT	
NO.	SYSSBOL DESCRIPTION
1	VSS POWER SUPPLY
2	VDD POWER SUPPLY
3	V0 OPERATING VOLTAGE FOR LCD
4	RS DATA/INSTRUCTION SELECT
5	R/W READ/WRITE CONTROL
6	E ENABLE SIGNAL
7--14	DB0--DB7 DATA BUS
15	LED + POWER SUPPLY FOR LED BACKLIGHT (+)
16	LED - POWER SUPPLY FOR LED BACKLIGHT (-)

ABSOLUTE MAXIMUM RATING			
ITEM	SYMBOL	MIN	MAX UNIT
POWER SUPPLY(LD/GIC)	VDD-VSS	-0.3	7.0 V
POWER SUPPLY(LCD DRV.)	VDD-V0	-0.3	13.5 V
INPUT VOLTAGE	V _I	-0.3	VDD V

ELECTRICAL CHARACTERISTICS (VDD=5.0±0.25V, 25°C)					
ITEM	SYMBOL	MIN	TYP	MAX	UNIT
VOLTAGE FOR LOGIC	VDD-VSS	4.75	5.0	5.25	V
SUPPLY CURRENT	IDD	-	1.0	2.2	mA
VOLTAGE FOR LCD	VDD-V0	-	4.6	-	V
INPUT VOLTAGE	V _{IH}	2.2	-	VDD	V
	V _{IL}	-0.3	-	0.6	V
OUTPUT VOLTAGE	V _{OH}	2.4	-	-	V
	V _{OL}	-	-	0.4	V

MECHANICAL SPECIFICATIONS		
ITEM	SPECIFICATION	UNIT
OVERALL SIZE	146.0W x 62.5H x 14.0T(10.0T)	MM
VIEWING AREA	123.5W x 43.0H	MM
CHARACTERS	20 CHARACTERS x 4 LINES	
CHARACTER SIZE	4.84W x 9.22H	MM
CHARACTER PITCH	6.0W x 9.75H	MM

OPTIONS	
1.	LCD TYPE: Y/G STN; GRAY STN; TN
2.	BACKLIGHT: WITHOUT BACKLIGHT; LED; EL
3.	COLOR OF BACKLIGHT: Y/G; BLUE; WHITE
4.	TEMPERATURE RANGE: NORMAL(0--50C) EXTENDED(-20--70C)
5.	POWER SUPPLY: 5.0V; 3.0V
6.	VIEWING ANGLE: 6H; 12H
7.	CHARACTER TABLE: JAPANESE; EUROPEAN; CYRILLIC

NT-C2043A

20 CHARACTERS X 4 LINES



NELY, YOUR SUPPLIER, AND YOUR PARTNER!

ALL DIMENSIONS ARE IN MM. TOLERANCE IS +0.2 UNLESS OTHERWISE NOTED.

REVISIONS			DESCRIPTION
NO.	DATE	BY	
1	02/09/11	A.CH	NEW RELEASE