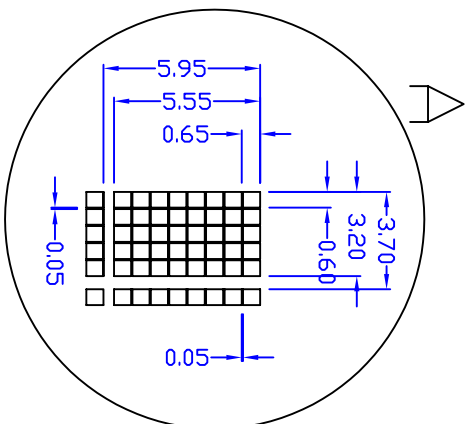
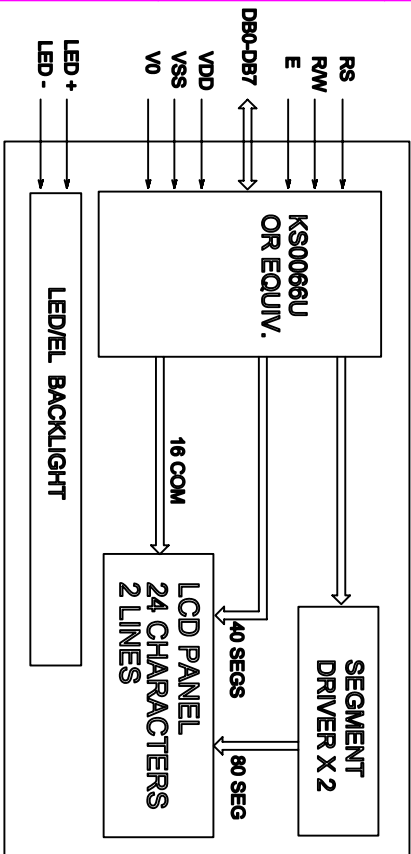


* FOR LED BACKLIGHT
 T1=14.0MAX T2=9.0±0.3
 * FOR EL OR ND BACKLIGHT
 T1=10.0MAX T2=5.0±0.3



PINS ASSIGNMENT	
NO.	SYMBOL DESCRIPTION
1	VSS POWER SUPPLY
2	VDD POWER SUPPLY
3	V0 OPERATING VOLTAGE FOR LCD
4	RS DATA/INSTRUCTION SELECT
5	R/W READ/WRITE CONTROL
6	E ENABLE SIGNAL
7-14	DB0--DB7 DATA BUS
15	LED + POWER SUPPLY FOR LED BACKLIGHT (←)
16	LED - POWER SUPPLY FOR LED BACKLIGHT (←)

ABSOLUTE MAXIMUM RATING				
ITEM	SYMBOL	MIN	MAX	UNIT
POWER SUPPLY (LOGIC)	VDD-VSS	-0.3	7.0	V
POWER SUPPLY (LCD DRV.)	VDD-V0	-0.3	13.5	V
INPUT VOLTAGE	VI	-0.3	VDD	V

ELECTRICAL CHARACTERISTICS (VDD=5.0±0.25V, 25°C)					
ITEM	SYMBOL	MIN	TYP	MAX	UNIT
VOLTAGE FOR LOGIC	VDD-VSS	4.75	5.0	5.25	V
SUPPLY CURRENT	IDD	-	2.0	2.8	mA
VOLTAGE FOR LCD	VDD-V0	2.2	4.6	-	V
INPUT VOLTAGE	VIH	2.2	-	VDD	V
	VIL	-0.3	-	0.5	V
OUTPUT VOLTAGE	VOH	2.4	-	-	V
	VOL	-	-	0.4	V

MECHANICAL SPECIFICATIONS		
ITEM	SPECIFICATION	UNIT
OVERALL SIZE	118.0W x 36.0H x 14.0T(10.0T)	MM
VIEWING AREA	93.5W x 16.0H	MM
CHARACTERS	24 CHARACTERS x 2 LINES	MM
CHARACTER SIZE	3.20W x 5.55H	MM
CHARACTER PITCH	3.70W x 5.95H	MM

OPTIONS	
1. LCD TYPE:	Y/G STN; GRAY STN; TN
2. BACKLIGHT:	WITHOUT BACKLIGHT; LED; EL
3. COLOR OF BACKLIGHT:	Y/G; BLUE; WHITE
4. TEMPERATURE RANGE:	NDRMA(0--50C) EXTENDED(-20--70C)
5. POWER SUPPLY:	5.0V; 3.0V
6. VIEWING ANGLE:	6H; 12H
7. CHARACTER TABLE:	JAPANESE; EUROPEAN; CYRILLIC

NT-C2421A

24 CHARACTERS X 2 LINES



NELY, YOUR SUPPLIER, AND YOUR PARTNER!

ALL DIMENSIONS ARE IN MM. TOLERANCE IS +/0.2 UNLESS OTHERWISE NOTED.



REVISIONS			
NO.	DATE	BY	DESCRIPTION
1	01/08/18	ACH	NEW RELEASE