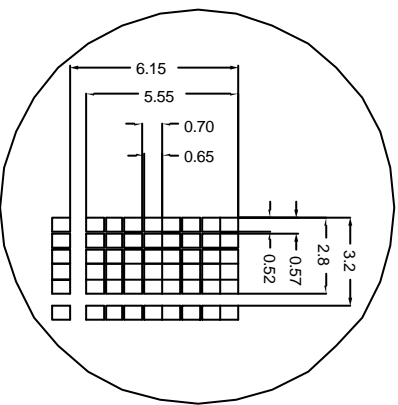
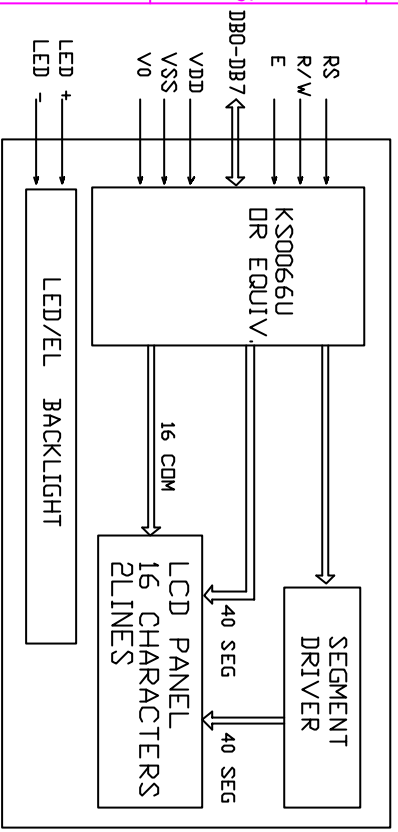


\* FOR LED BACKLIGHT  
 T1=14.0MAX T2=9.0±0.3  
 \* FOR EL OR ND BACKLIGHT  
 T1=10.0MAX T2=5.0±0.3



NT-C2424A

24 CHARACTERS X 2 LINES

NELY, YOUR SUPPLIER, AND YOUR PARTNER!



ALL DIMENSIONS ARE IN MM. TOLERANCE IS +/-0.2 UNLESS OTHERWISE NOTED.

REVISIONS			
NO.	DATE	BY	DESCRIPTION
1	01/06/18	A/C	NEW RELEASE

PINS ASSIGNMENT		
NO.	SYMBOL	DESCRIPTION
1	VSS	POWER SUPPLY
2	VDD	POWER SUPPLY
3	V0	OPERATING VOLTAGE FOR LCD
4	RS	DATA/INSTRUCTION SELECT
5	R/W	READ/WRITE CONTROL
6	E	ENABLE SIGNAL
7-14	DB0-DB7	DATA BUS
15	LED+	POWER SUPPLY FOR LED BACKLIGHT (+)
16	LED-	POWER SUPPLY FOR LED BACKLIGHT (-)

ABSOLUTE MAXIMUM RATING			
ITEM	SYMBOL	MIN	MAX
POWER SUPPLY(VDDICD)	VDD-VSS	-0.3	7.0
POWER SUPPLY(CD DRV)	VDD-V0	-0.3	13.5
INPUT VOLTAGE	VI	-0.3	VDD

ELECTRICAL CHARACTERISTICS(VDD=5.0±0.25V, 25°C)				
ITEM	SYMBOL	MIN	TYP	MAX
VOLTAGE FOR LOGIC	VDD-VSS	4.75	5.0	5.25
SUPPLY CURRENT	IDD	-	1.3	2.2
VOLTAGE FOR LCD	VDD-V0	-	4.6	-
INPUT VOLTAGE	VI	2.2	-	VDD
	VIL	-0.3	-	0.6
	V0H	-	2.4	-
OUTPUT VOLTAGE	VO	-	-	0.4

MECHANICAL SPECIFICATIONS		
ITEM	SPECIFICATION	UNIT
OVERALL SIZE	85.0W x 36.0H x 14.0T(10.0T)	MM
VIEWING AREA	64.5W x 15.5H	MM
CHARACTERS	16 CHARACTERS x 2 LINES	MM
CHARACTER SIZE	2.96V x 5.56H	MM
CHARACTER PITCH	3.55V x 5.94H	MM

OPTIONS		
NO.	DESCRIPTION	UNIT
1.	LCD TYPE: Y/G STN, GRAY STN, TN	
2.	BACKLIGHT: WITHOUT BACKLIGHT, LED, EL	
3.	COLOR OF BACKLIGHT: Y/G, BLUE, WHITE	
4.	TEMPERATURE RANGE: NORMAL(0--50°C) EXTENDED(-20--70°C)	
5.	POWER SUPPLY: 5.0V, 3.0V	
6.	VIEWING ANGLE: 6H, 12H	
7.	CHARACTER TABLE: JAPANESE, EUROPEAN, CYRILLIC	