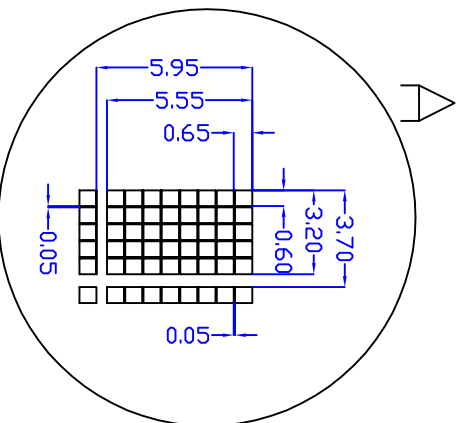
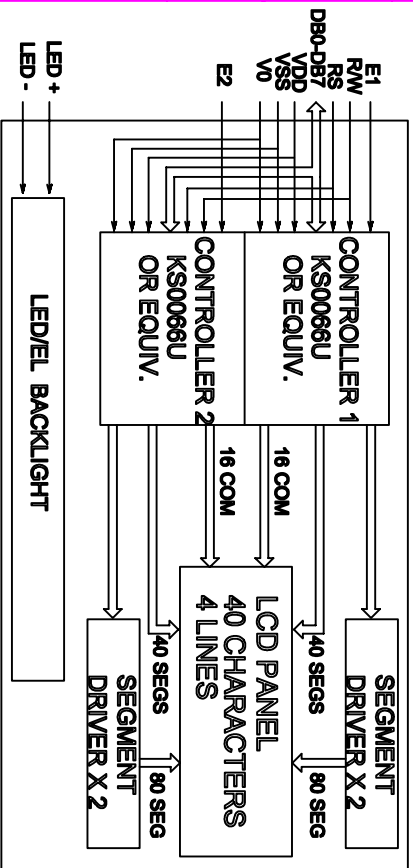


\* FOR LED BACKLIGHT  
 T1=14.0MAX T2=9.0±0.3  
 \* FOR EL OR ND BACKLIGHT  
 T1=10.0MAX T2=5.0±0.3



PINS ASSIGNMENT	
NO.	SYMBOL DESCRIPTION
1	VSS POWER SUPPLY
2	VDD POWER SUPPLY
3	V0 OPERATING VOLTAGE FOR LCD
4	RS DATA/INSTRUCTION SELECT
5	R/W READ/WRITE CONTROL
6	E1 ENABLE SIGNAL FOR IC(RUPPER 2 LINES)
7-14	DB0--DB7 DATA BUS
15	E2 ENABLE SIGNAL FOR IC(LLOWER 2 LINES)
16	NC NO CONNECTION
17	LED + POWER SUPPLY FOR LED BACKLIGHT (←)
18	LED - POWER SUPPLY FOR LED BACKLIGHT (←)

ABSOLUTE MAXIMUM RATING			
ITEM	SYMBOL	MIN	MAX
POWER SUPPLY(VDDIC)	VDD-VSS	-0.3	7.0
POWER SUPPLY(LED DRV)	VDD-V0	-0.3	13.5
INPUT VOLTAGE	VI	-0.3	VDD

ELECTRICAL CHARACTERISTICS (VDD=5.0±0.25V, 25°C)					
ITEM	SYMBOL	MIN	TYP	MAX	UNIT
VOLTAGE FOR LOGIC	VDD-VSS	4.75	5.0	5.25	V
SUPPLY CURRENT	IDD	-	2.0	2.8	mA
VOLTAGE FOR LCD	VDD-V0	-	4.6	-	V
INPUT VOLTAGE	VI	VIL	-0.3	-	V
		VH	-	VDD	V
OUTPUT VOLTAGE	VO	VOL	-	-	V
		VOH	2.4	-	V
			-	-	0.4

MECHANICAL SPECIFICATIONS		
ITEM	SPECIFICATION	UNIT
OVERALL SIZE	125.0W x 39.0H x 14.0T(10.0T)	MM
VIEWING AREA	97.0W x 27.0H	MM
CHARACTERS	24 CHARACTERS x 4 LINES	MM
CHARACTER SIZE	3.20W x 5.55H	MM
CHARACTER PITCH	3.70W x 5.95H	MM

OPTIONS	
1. LCD TYPE:	Y/G STN, GRAY STN, TN
2. BACKLIGHT, WITHOUT BACKLIGHT, LED, EL	
3. COLOR OF BACKLIGHT:	Y/G, BLUE, WHITE
4. TEMPERATURE RANGE:	ND(RMAL:0--50C) EXTENDED:-20--70C
5. POWER SUPPLY:	5.0V, 3.0V
6. VIEWING ANGLE:	6H, 12H
7. CHARACTER TABLE:	JAPANESE, EUROPEAN, CYRILLIC

REVISIONS			
NO.	DATE	BY	DESCRIPTION
1	03/05/05	A.C.H.	NEW RELEASE

NT-C2441A

24 CHARACTERS X 4 LINES



ALL DIMENSIONS ARE IN MM. TOLERANCE IS +0.2 UNLESS OTHERWISE NOTED.

NELY, YOUR SUPPLIER, AND YOUR PARTNER!