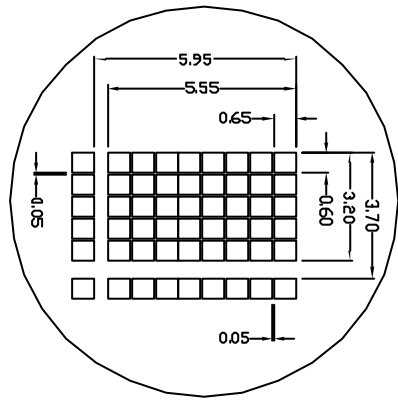
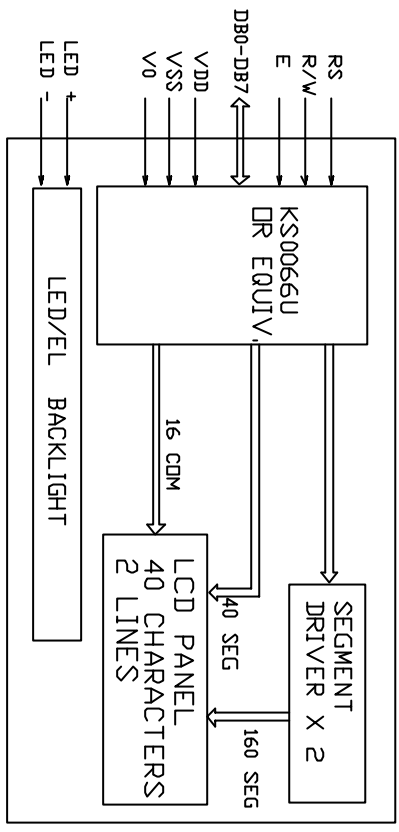


\* FOR LED BACKLIGHT  
 T1=14.0MMX T2=9.0MMX  
 \* FOR FL OR NO BACKLIGHT  
 T1=10.0MMX T2=5.0MMX



# NT-C4021A

40 CHARACTERS X 2 LINES

NELY, YOUR SUPPLIER, AND YOUR PARTNER!



ALL DIMENSIONS ARE IN MM. TOLERANCE IS +/-0.2 UNLESS OTHERWISE NOTED.



REVISIONS			
NO.	DATE	BY	DESCRIPTION
1	01/06/18	ACh	NEW RELEASE

PINS ASSIGNMENT			
NO.	SYMBOL	DESCRIPTION	
1	VSS	POWER SUPPLY	
2	VDD	POWER SUPPLY	
3	V0	OPERATING VOLTAGE FOR LCD	
4	RS	DATA/INSTRUCTION SELECT	
5	R/W	READ/WRITE CONTROL	
6	E	ENABLE SIGNAL	
7--14	DB0--DB7	DATA BUS	
13	LED +	POWER SUPPLY FOR LED BACKLIGHT (+)	
16	LED -	POWER SUPPLY FOR LED BACKLIGHT (-)	

ABSOLUTE MAXIMUM RATING			
ITEM	SYMBOL	MIN	MAX
POWER SUPPLY(VOLAGE)	VDD-VSS	-0.3	7.0
POWER SUPPLY(LED DRV)	VDD-V0	-0.3	13.5
INPUT VOLTAGE	V <sub>I</sub>	-0.3	VDD

ELECTRICAL CHARACTERISTICS (VDD=5.0±0.25V, 25°C)					
ITEM	SYMBOL	MIN	TYP	MAX	UNIT
VOLTAGE FOR LOGIC	VDD-VSS	4.75	5.0	5.25	V
SUPPLY CURRENT	IDD	-	1.0	2.2	mA
VOLTAGE FOR LCD	VDD-V0	-	4.6	-	V
INPUT VOLTAGE	V <sub>IH</sub>	2.2	-	VDD	V
	V <sub>IL</sub>	-0.3	-	0.6	V
OUTPUT VOLTAGE	V <sub>OH</sub>	2.4	-	-	V
	V <sub>OL</sub>	-	-	0.4	V

MECHANICAL SPECIFICATIONS		
ITEM	SPECIFICATION	UNIT
OVERALL SIZE	182.00V x 93.50H x 14.07(D0.017)	MM
VIEWING AREA	154.5V x 15.6H	MM
CHARACTERS	40 CHARACTERS x 2 LINES	MM
CHARACTER SIZE	3.20V x 5.55H	MM
CHARACTER PITCH	3.70V x 5.95H	MM

- OPTIONS
1. LCD TYPE: Y/G STN, GRAY STN, TN
  2. BACKLIGHT: WITHOUT BACKLIGHT, LED, EL
  3. COLOR OF BACKLIGHT: Y/G, BLUE, WHITE
  4. TEMPERATURE RANGE: NORMAL(0--50C) EXTENDED(-20--70C)
  5. POWER SUPPLY: 5.0V, 3.0V
  6. VIEWING ANGLE: 6H, 12H
  7. CHARACTER TABLE: JAPANESE, EUROPEAN, CYRILLIC