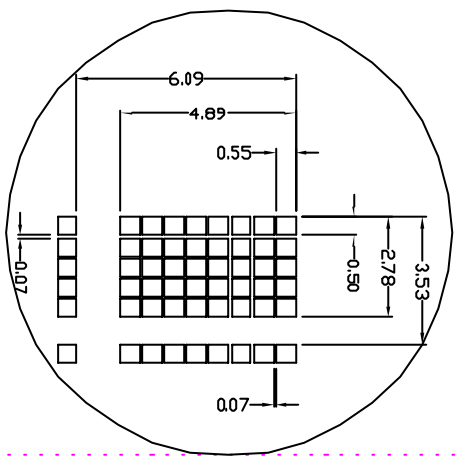
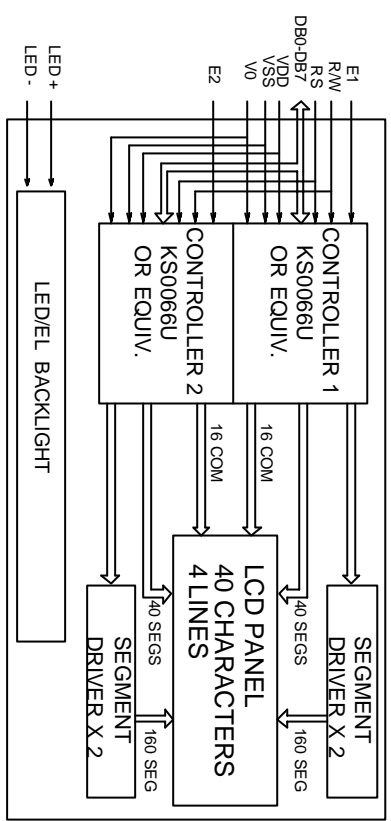


* FOR LED BACKLIGHT
 T1=14.0MMAX T2=9.0±0.3
 * FOR EL OR NO BACKLIGHT
 T1=10.0MMAX T2=5.0±0.3



REVISIONS

NO.	DATE	BY	DESCRIPTION
1	01/06/13	A.CH	NEW RELEASE

PINS ASSIGNMENT

NO.	SYMBOL	DESCRIPTION
1-3	DB7-DB0	DATA BUS
9	E1	ENABLE SIGNAL FOR CONTROLLER 1
10	RW	READ/WRITE CONTROL
11	RS	DATA/INSTRUCTION SELECT
12	VO	OPERATING VOLTAGE FOR LCD
13	VSS	POWER SUPPLY
14	VDD	POWER SUPPLY
15	E2	ENABLE SIGNAL FOR CONTROLLER 2
16	NC	NO CONNECT
17	LED -	POWER SUPPLY FOR LED BACKLIGHT (-)
18	LED +	POWER SUPPLY FOR LED BACKLIGHT (+)

ABSOLUTE MAXIMUM RATING

ITEM	SYMBOL	MIN	MAX	UNIT
POWER SUPPLY(V _{LOGIC})	VDD-VSS	-0.3	7.0	V
POWER SUPPLY(LCD DRV.)	VDD*VO	-0.3	13.5	V
INPUT VOLTAGE	VI	-0.3	VDD	V

ELECTRICAL CHARACTERISTICS (VDD=5.0±0.25V, 25°C)

ITEM	SYMBOL	MIN	TYP	MAX	UNIT
VOLTAGE FOR LOGIC	VDD-VSS	4.75	5.0	5.25	V
SUPPLY CURRENT	IDD	-	6.0	7.5	mA
VOLTAGE FOR LCD	VDD-VO	4.7	4.9	5.1	V
INPUT VOLTAGE	V _{IH}	2.2	-	VDD	V
	V _{IL}	-0.3	-	0.6	V
OUTPUT VOLTAGE	V _{OH}	2.4	-	-	V
	V _{OL}	-	-	0.4	V

MECHANICAL SPECIFICATIONS

ITEM	SPECIFICATION	UNIT
OVERALL SIZE	190.0W x 54.0H x 14.0T(10.0T)	MM
VIEWING AREA	147.0W x 29.5H	MM
CHARACTERS	40 CHARACTERS x 4 LINES	MM
CHARACTER SIZE	2.78W x 4.89H	MM
CHARACTER PITCH	3.53W x 6.09H	MM

OPTIONS

- LCD TYPE: Y/G STN; GRAY STN; TN
- BACKLIGHT: WITHOUT BACKLIGHT; LED; EL
- COLOR OF BACKLIGHT: Y/G; BLUE; WHITE
- TEMPERATURE RANGE: NORMAL(0-50C) EXTENDED(-20-70C)
- POWER SUPPLY: 5.0V; 3.0V
- VIEWING ANGLE: 6H; 12H
- CHARACTER TABLE: JAPANESE; EUROPEAN; CYRILLIC

NT-C4041A

40 CHARACTERS X 4 LINES



ALL DIMENSIONS ARE IN MM. TOLERANCE IS +/0.2 UNLESS OTHERWISE NOTED.

NELY, YOUR SUPPLIER, AND YOUR PARTNER!