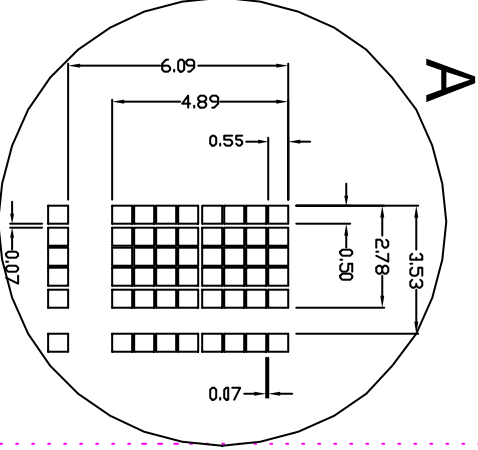
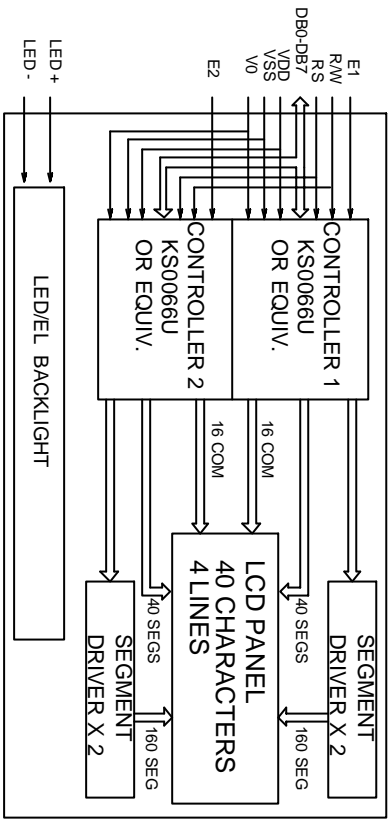


\* FOR LED BACKLIGHT  
 T1=14.0MAX T2=9.0±0.3  
 \* FOR EL OR NO BACKLIGHT  
 T1=10.0MAX T2=5.0±0.3



REVISIONS			
NO.	DATE	BY	DESCRIPTION
1	04/05/14	ACh	NEW RELEASE

PINS ASSIGNMENT	
NO.	SYMBOL DESCRIPTION
1-8	DB7-DB0 DATA BUS
9	E1 ENABLE SIGNAL FOR CONTROLLER 1
10	RW READ/WRITE CONTROL
11	RS DATA/INSTRUCTION SELECT
12	V0 OPERATING VOLTAGE FOR LCD
13	VSS POWER SUPPLY
14	VDD POWER SUPPLY
15	E2 ENABLE SIGNAL FOR CONTROLLER 2
16	NC NO CONNECT
17	LED- POWER SUPPLY FOR LED BACKLIGHT (-)
18	LED+ POWER SUPPLY FOR LED BACKLIGHT (+)

ABSOLUTE MAXIMUM RATING			
ITEM	SYMBOL	MIN	MAX UNIT
POWER SUPPLY(LOGIC)	VDD-VSS	-0.3	7.0 V
POWER SUPPLY(LCD DRV.)	VDD-V0	-0.3	13.5 V
INPUT VOLTAGE	VI	-0.3	VDD V

ELECTRICAL CHARACTERISTICS (VDD=5.0±0.25V, 25°C)					
ITEM	SYMBOL	MIN	TYP	MAX	UNIT
VOLTAGE FOR LOGIC	VDD-VSS	4.75	5.0	5.25	V
SUPPLY CURRENT	IDD	-	6.0	7.5	mA
VOLTAGE FOR LCD	VDD-V0	4.7	4.9	5.1	V
INPUT VOLTAGE	VH	2.2	-	VDD	V
	VL	-0.3	-	0.6	V
OUTPUT VOLTAGE	H	Voh	2.4	-	V
	L	V0L	-	0.4	V

MECHANICAL SPECIFICATIONS		
ITEM	SPECIFICATION	UNIT
OVERALL SIZE	190.00W x 54.00H x 14.00T(10.0T)	MM
VIEWING AREA	147.00W x 29.50H	MM
CHARACTERS	40 CHARACTERS x 4 LINES	MM
CHARACTER SIZE	2.78W x 4.89H	MM
CHARACTER PITCH	3.53W x 6.09H	MM

OPTIONS	
1.	LCD TYPE: V/G STN: GRAY STN: TN
2.	BACKLIGHT: WITHOUT BACKLIGHT: LED: EL
3.	COLOR OF BACKLIGHT: V/G: BLUE: WHITE
4.	TEMPERATURE RANGE: NORMAL(0-50C) EXTENDED(-20-70C)
5.	POWER SUPPLY: 5.0V, 3.0V
6.	VIEWING ANGLE: 6H: 12H
7.	CHARACTER TABLE: JAPANESE: EUROPEAN: CYRILLIC

# NT-C4041B

40 CHARACTERS X 4 LINES



NELY, YOUR SUPPLIER, AND YOUR PARTNER!

ALL DIMENSIONS ARE IN MM. TOLERANCE IS +/-0.2 UNLESS OTHERWISE NOTED.

