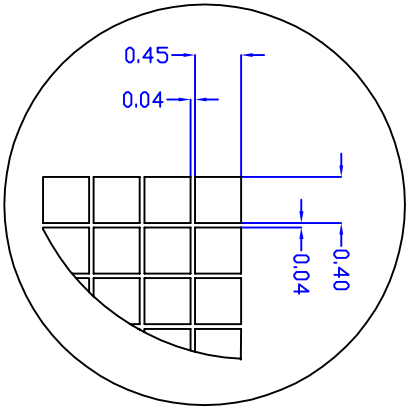


*** FOR LBD BACKLIGHT**
 T1=14.0MAX T2=9.0±0.3
*** FOR BL OR NO BACKLIGHT**
 T1=11.0MAX T2=6.0±0.3



REVISIONS

NO.	DATE	BY	DESCRIPTION
1	09/09/11	A.C.H	NEW RELEASE

PINS ASSIGNMENT

NO.	SYSBOL	DESCRIPTION
1	VSS	GROUND
2	VDD	POWER SUPPLY FOR LOGIC AND LCD
3	V0	CONTRAST ADJUST
4	/RS/T	RESET SIGNAL(LOW EFFECTIVE)
5	B1	READ/WRITE ENABLE SIGNAL(MASTER)
6	B2	READ/WRITE ENABLE SIGNAL(SLAVE)
7	R/W	READ/WRITE SELECT
8	A0	DATA/INSTRUCTION SELECT
9-16	DB0-DB7	DATA BUS
17	A	POWER SUPPLY FOR LBD BACKLIGHT(+)
18	K	POWER SUPPLY FOR LBD BACKLIGHT(-)

ABSOLUTE MAXIMUM RATING

ITEM	SYMBOL	MIN	MAX	UNIT
POWER SUPPLY(LOGIC)	VDD-VSS	0	6.5	V
POWER SUPPLY(LCD DRV.)	VDD-V0	0	10.0	V
INPUT VOLTAGE	VI	VI	VI	V

ELECTRICAL CHARACTERISTICS

ITEM	SYMBOL	MIN	TYP	MAX	UNIT
VOLTAGE FOR LOGIC	VDD-VSS	4.75	5.0	5.25	V
SUPPLY CURRENT	IDD	-	3.0	5.00	uA
LCD OPERATING VOLTAGE	28C	0C	-	5.0	V
	40C	VDD-V0	-	4.8	V
INPUT VOLTAGE	H	VH	-	4.6	V
	L	VIL	0	-	V

MECHANICAL SPECIFICATIONS

ITEM	SPECIFICATION	UNIT
OVERALL SIZE	80.0W x 36.0H x 14.0T(10.0T)	MM
VIEWING AREA	60.0W x 18.5H	MM
DOT NUMBER	122 x 32	DOTS
DOT SIZE	0.40W x 0.45H	MM
DOT PITCH	0.44W x 0.49H	MM

OPTIONS

- LCD TYPE: Y/G STN; GRAY STN;
- BACKLIGHT: WITHOUT BACKLIGHT; LBD; BL
- COLOR OF BACKLIGHT: Y/G; BLUE; WHITE
- TEMPERATURE RANGE: NORMAL(0-50C); EXTENDED(-20-70C)
- POWER SUPPLY: ON BOARD DC/DC(SINGLE & 5.0V); DUAL POWER SUPPLY(6.0V & -6.0V)
- VIEWING ANGLE: 6H; 12H

NT-G122321B

122 X 32 DOTS GRAPHIC LCM



ALL DIMENSIONS ARE IN MM. TOLERANCE IS +/-0.2 UNLESS OTHERWISE NOTED.

NELY, YOUR SUPPLIER, AND YOUR PARTNER!