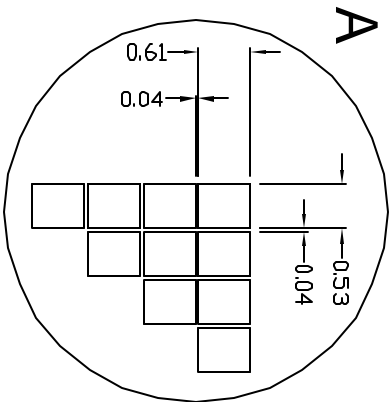
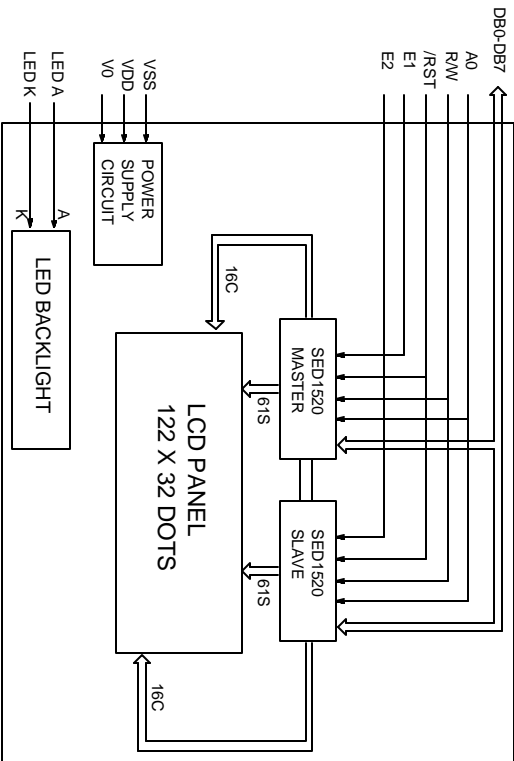


* FOR LED BACKLIGHT
 T1=14.0MAX T2=9.0±0.3
 * FOR EL OR NO BACKLIGHT
 T1=11.0MAX T2=6.0±0.3



REVISIONS

NO.	DATE	BY	DESCRIPTION
1	01/06/18	A.C.H	NEW RELEASE

PINS ASSIGNMENT

NO.	SYMBOL	DESCRIPTION
1	VSS	GROUND
2	VDD	POWER SUPPLY FOR LOGIC AND LCD
3	V0	OPERATING VOLTAGE FOR LCD
4	A0	DATAMINSTRUCTION SELECT
5	E1	READ/WRITE ENABLE SIGNAL(MASTER)
6	E2	READ/WRITE ENABLE SIGNAL(SLAVE)
7-14	DB0-DB7	DATA BUS
15	A	POWER SUPPLY FOR LED BACKLIGHT(+)
16	K	POWER SUPPLY FOR LED BACKLIGHT(-)
17	R/W	READ/WRITE SELECT
18	/RST	RESET SIGNAL(LOW EFFECTIVE)

ABSOLUTE MAXIMUM RATING

ITEM	SYMBOL	MIN	MAX	UNIT
POWER SUPPLY(VLOGIC)	VDD-VSS	0	6.5	V
POWER SUPPLY(LCD DRV.)	VDD-V0	0	10.0	V
INPUT VOLTAGE	VI	VI	VDD	V

ELECTRICAL CHARACTERISTICS

ITEM	SYMBOL	MIN	TYP	MAX	UNIT
VOLTAGE FOR LOGIC	VDD-VSS	4.75	5.0	5.25	V
SUPPLY CURRENT	IDD	-	300	500	uA
LCD OPERATING VOLTAGE	V0	-	6.2	-	V
VOLTAGE	VDD-V0	-	5.8	-	V
INPUT VOLTAGE	VI	VIH	0.8VDD	-	V
		VIL	0	0.2VDD	V

MECHANICAL SPECIFICATIONS

ITEM	SPECIFICATION	UNIT
OVERALL SIZE	98.0W x 60.0H x 14.0T(10.0T)	MM
VIEWING AREA	76.0W x 25.2H	MM
DOT NUMBER	122 x 32	DOTS
DOT SIZE	0.53W x 0.61H	MM
DOT PITCH	0.57W x 0.65H	MM

OPTIONS

- LCD TYPE: Y/G STN, GRAY STN,
- BACKLIGHT: WITHOUT BACKLIGHT, LED, EL
- COLOR OF BACKLIGHT: Y/G, BLUE, WHITE
- TEMPERATURE RANGE: NORMAL(0-50C); EXTENDED(-20-70C)
- POWER SUPPLY: ON BOARD DC/DC(SINGLE 5.0V); DUAL POWER SUPPLY(5.0V & 5.0V)
- VIEWING ANGLE: 6H, 12H

ALL DIMENSIONS ARE IN MM. TOLERANCE IS +/-0.2 UNLESS OTHERWISE NOTED.

NT-G122323A

122 X 32 DOTS GRAPHIC LCM



NELY, YOUR SUPPLIER, AND YOUR PARTNER!