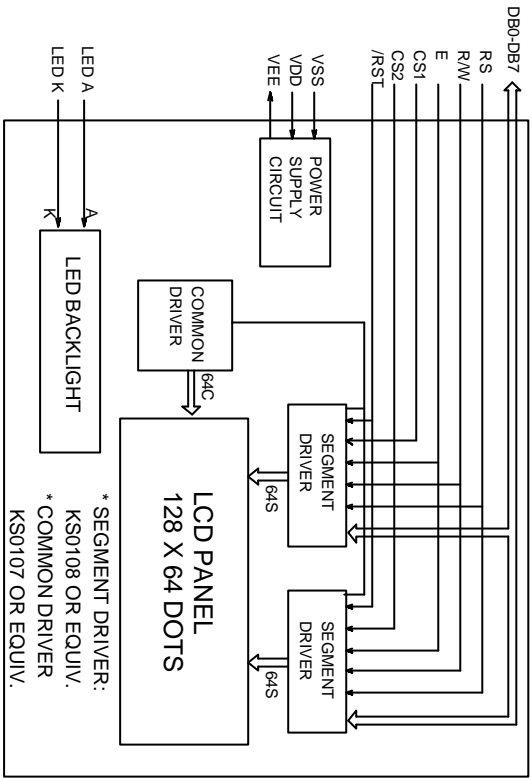
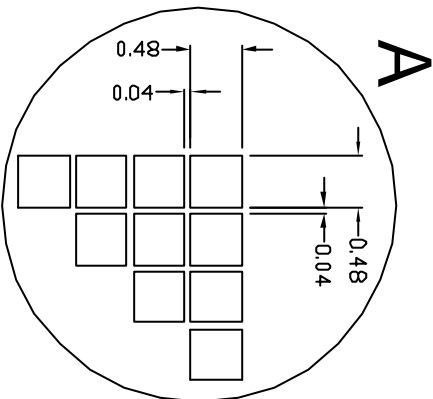


\* FOR LED BACKLIGHT  
 T1=14.0MMX T2=9.0±0.3  
 \* FOR EL OR NO BACKLIGHT  
 T1=11.0MMX T2=6.0±0.3



\* SEGMENT DRIVER:  
 KS0108 OR EQUIV.  
 \* COMMON DRIVER:  
 KS0107 OR EQUIV.



REVISIONS			
NO.	DATE	BY	DESCRIPTION
1	01/06/18	AQH	NEW RELEASE

PINS ASSIGNMENT			
NO.	SYMBOL	DESCRIPTION	
1	VSS	GROUND	
2	VDD	POWER SUPPLY FOR LOGIC AND LCD	
3	V0	OPERATING VOLTAGE FOR LCD	
4	RS	DATA/INSTRUCTION SELECT	
5	R/W	READ/WRITE SELECT	
6	E	ENABLE SIGNAL	
7-14	DB0-DB7	DATA BUS	
15	CS1	CHIP SELECT OF IC1 (HIGH EFFECTIVE)	
16	CS2	CHIP SELECT OF IC2 (HIGH EFFECTIVE)	
17	/RST	RESET SIGNAL(LOW EFFECTIVE)	
18	VEE	NEGATIVE VOLTAGE OUTPUT/INPUT	
19	A	POWER SUPPLY FOR LED BACKLIGHT(+)	
20	K	POWER SUPPLY FOR LED BACKLIGHT(-)	

ABSOLUTE MAXIMUM RATING			
ITEM	SYMBOL	MIN	MAX
POWER SUPPLY(VLOGIC)	VDD-VSS	0	6.5
POWER SUPPLY(LCD DRV.)	VDD-V0	0	18.0
INPUT VOLTAGE	V <sub>I</sub>	V <sub>I</sub>	VDD

ELECTRICAL CHARACTERISTICS					
ITEM	SYMBOL	MIN	TYP	MAX	UNIT
VOLTAGE FOR LOGIC	VDD-VSS	4.75	5.0	5.25	V
SUPPLY CURRENT	IDD	-	8.7	-	mA
LCD OPERATING VOLTAGE	VDD-V0	-	12.5	-	V
	Z5C	-	11.5	-	V
	40C	-	10.5	-	V
INPUT VOLTAGE	H	V <sub>IH</sub>	0.7VDD	-	V
	L	V <sub>IL</sub>	0	VDD	V
WHITE LED VOLTAGE	VLED	-	3.1	3.3	V

MECHANICAL SPECIFICATIONS		
ITEM	SPECIFICATION	UNIT
OVERALL SIZE	93.00W x 70.00H x 14.00T(1.0T)	MM
VIEWING AREA	72.00W x 40.00H	MM
DOT NUMBER	128 x 64	DOTS
DOT SIZE	0.48W x 0.48H	MM
DOT PITCH	0.52W x 0.52H	MM

OPTIONS	
1. LCD TYPE:	Y/G STN: GRAY STN: B/W FSTN
2. BACKLIGHT:	WITHOUT BACKLIGHT: LED: EL
3. COLOR OF BACKLIGHT:	Y.G: BLUE: WHITE
4. TEMPERATURE RANGE:	NORMAL(0-50C): EXTENDED(-20-70C)
5. POWER SUPPLY:	ON BOARD DC/DC(SINGLE 5.0V): DUAL POWER SUPPLY(5.0V & -10.0V)
6. VIEWING ANGLE:	BH: 12H

NT-G128641A

128 X 64 DOTS GRAPHIC LCM



NELY, YOUR SUPPLIER, AND YOUR PARTNER!

ALL DIMENSIONS ARE IN MM. TOLERANCE IS +/-0.2 UNLESS OTHERWISE NOTED.

