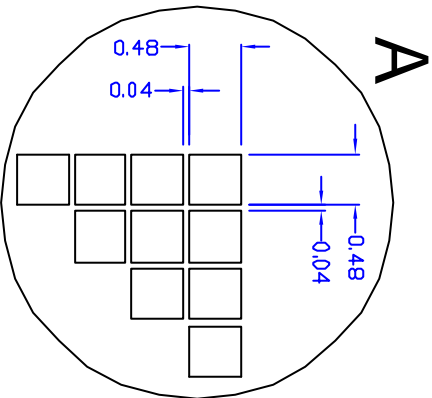
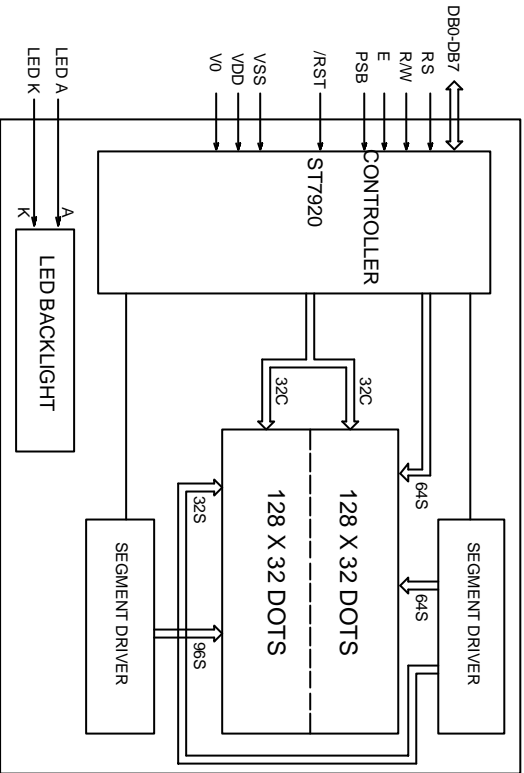


* FOR LED BACKLIGHT
 T1=14.0MMAX T2=9.0±0.3
 * FOR EL OR NO BACKLIGHT
 T1=11.0MMAX T2=6.0±0.3



NT-G128647A

128 X 64 DOTS GRAPHIC LCM
 BUILT-IN CHINESE CHARACTER ROM

NELY, YOUR SUPPLIER AND YOUR PARTNER!



ALL DIMENSIONS ARE IN MM. TOLERANCE IS +/0.2
 UNLESS OTHERWISE NOTED.



REVISIONS

NO.	DATE	BY	DESCRIPTION
1	01/06/18	A.CH	NEW RELEASE

PINS ASSIGNMENT	
NO.	SYMBOL DESCRIPTION
1	VSS GROUND
2	VDD POWER SUPPLY FOR LOGIC AND LCD
3	V0 CONTRAST ADJUST
4	RS DATA/INSTRUCTION SELECT
5	R/W READ/WRITE SELECT
6	E ENABLE SIGNAL
7-14	DB0-DB7 DATA BUS
15	PSB PARALLEL/SERIAL INTERFACE SELECTION
16	NC NO CONNECT
17	/RST RESET SIGNAL(LOW EFFECTIVE)
18	NC NO CONNECT
19	A POWER SUPPLY FOR LED BACKLIGHT(+)
20	K POWER SUPPLY FOR LED BACKLIGHT(-)

ABSOLUTE MAXIMUM RATING			
ITEM	SYMBOL	MIN	MAX
POWER SUPPLY(LOGIC)	VDD-VSS	0	6.5
POWER SUPPLY(LCD DRV.)	VDD-V0	0	1.80
INPUT VOLTAGE	V _I	V _I	VDD

ELECTRICAL CHARACTERISTICS					
ITEM	SYMBOL	MIN	TYP	MAX	UNIT
VOLTAGE FOR LOGIC	VDD-VSS	4.75	5.0	5.25	V
SUPPLY CURRENT	IDD	-	8.7	-	mA
LCD OPERATING VOLTAGE	0C	-	-	-	V
	25C	-	4.0	-	V
INPUT VOLTAGE	H	0.7VDD	-	-	V
	L	V _I	0	-	V
WHITE LED VOLTAGE	VLED	-	3.1	3.3	V

MECHANICAL SPECIFICATIONS		
ITEM	SPECIFICATION	UNIT
OVERALL SIZE	93.00W x 70.00H x 14.07(T1:0.7)	MM
VIEWING AREA	72.00W x 40.0H	MM
DOT NUMBER	128 x 64	DOTS
DOT SIZE	0.48W x 0.48H	MM
DOT PITCH	0.52W x 0.52H	MM

OPTIONS	
1. LCD TYPE:	Y/G STN; GRAY STN; B/W FSTN
2. BACKLIGHT:	WITHOUT BACKLIGHT; LED; EL
3. COLOR OF BACKLIGHT:	Y.G; BLUE; WHITE
4. TEMPERATURE RANGE:	NORMAL(0-50C); EXTENDED(-20-70C)
5. POWER SUPPLY:	ON BOARD DC/DC(SINGLE 5.0V); DUAL POWER SUPPLY(5.0V & -10.0V)
6. VIEWING ANGLE:	6H; 12H