

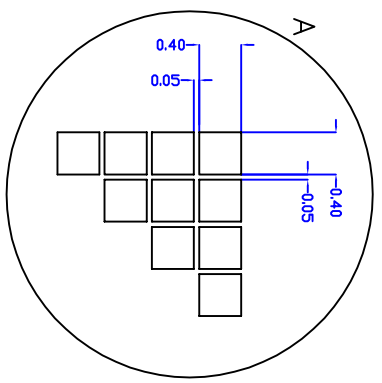
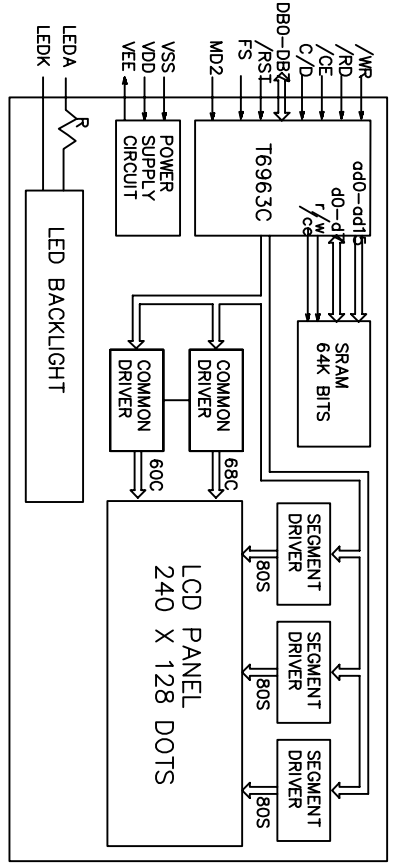
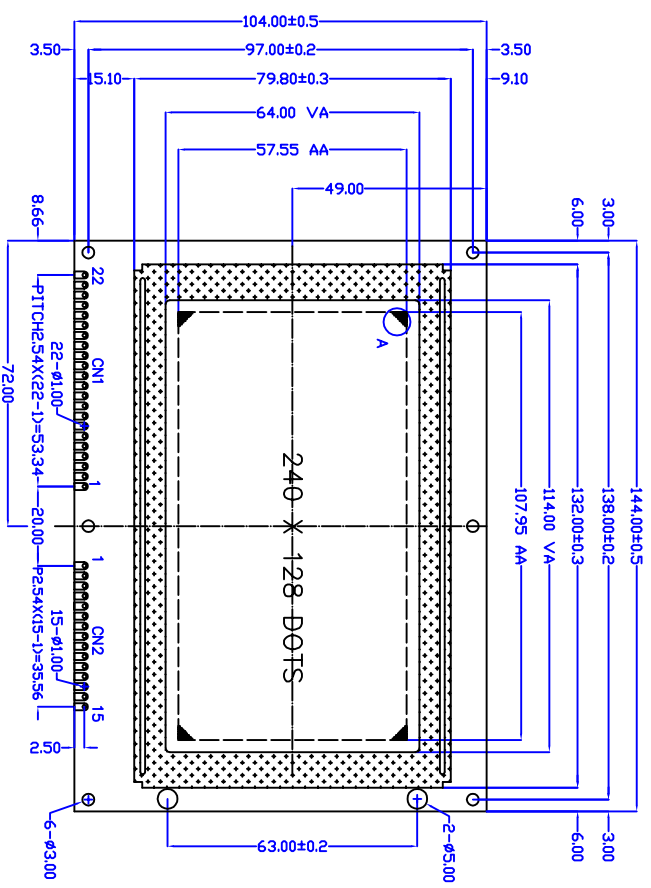
REVISIONS			
NO.	DATE	BY	DESCRIPTION
1	05/06/22	A.CH	NEW RELEASE

PINS ASSIGNMENT

CN1--FOR TYPES WITH CONTROLLER(T6963C)	
NO.	SYSBOL DESCRIPTION
1	VSS GROUND
2	VDD POWER SUPPLY FOR LOGIC AND LCD
3	V0 OPERATING VOLTAGE FOR LCD
4	C/D COMMAND/DATA SELECTION
5	/RD DATA READ
6	/WR DATA WRITE
7-14	DBO--DE/DATA BUS
15	/CE CHIP ENABLE FOR T6963C
16	/RST RESET T6963C (LOW EFFECTIVE)
17	/VEE NEGATIVE VOLTAGE INPUT/OUTPUT
18	MD2 SELECT NUMBER OF THE COLUMNS
19	FS FONT SELECTION (L:8X, H:6X)
20	NC NO CONNECT
21,22	A,K LED BACKLIGHT POWER SUPPLY

CN2--FOR TYPES WITHOUT CONTROLLER

NO.	SYSBOL DESCRIPTION
1	FRM FRAME SIGNAL
2	GP SHIFT CLOCK
3	LP LATOH CLOCK
4	M AC SIGNAL
5	VDD POWER SUPPLY FOR LOGIC AND LCD
6	VSS GROUND
7	/VEE NEGATIVE VOLTAGE INPUT/OUTPUT
8-11	DO-D3 DISPLAY DATA
12	V0 OPERATING VOLTAGE FOR LCD
13	/DISPOFF DISPLAY OFF CONTROL
14,15	A,K LED BACKLIGHT POWER SUPPLY



ITEM	SPECIFICATION	UNIT
OVERALL SIZE	144.0W x 104.0H x 14.0T	MM
VIEWING AREA	133.2W x 64.0H	MM
DOT NUMBER	240 x 128	DOTS
DOT SIZE	0.40W x 0.40H	MM
DOT PITCH	0.45W x 0.45H	MM

NOTES

1. LOD TYPE: Y/G STNBLUE STN, B/W FSTN
2. BACKLIGHT: Y/G LED, WHITE LED, COFL
3. POLARIZER: TRANSPARENT
4. OPERATING TEMPERATURE: 0--50 C
5. STORAGE TEMPERATURE: -10--60 C
6. ON-BOARD DC-DC: -15V

NT-G2401284A

240 X 128 DOTS GRAPHIC LCM



ACTRON AG • Posthatterring 18 • D - 85599 Parsdorf • Tel.: +49 (0)89 / 991509-0 • Fax: +49 (0)89/991509-50

ALL DIMENSIONS ARE IN MM. TOLERANCE IS +/-0.2 UNLESS OTHERWISE NOTED.