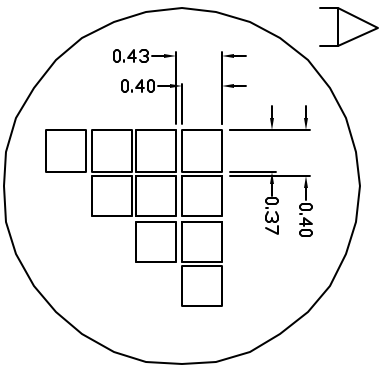
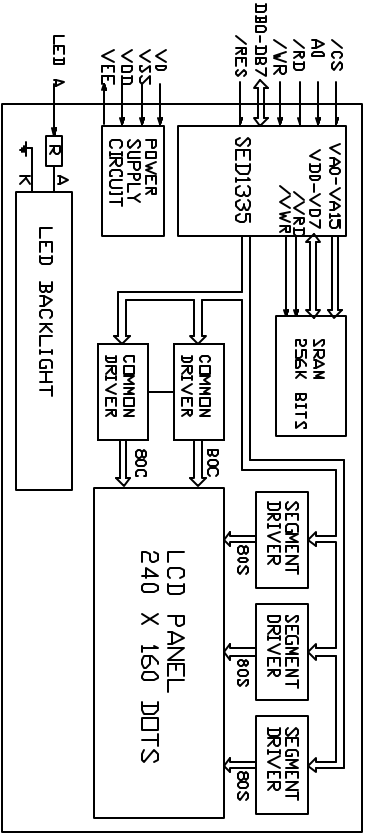
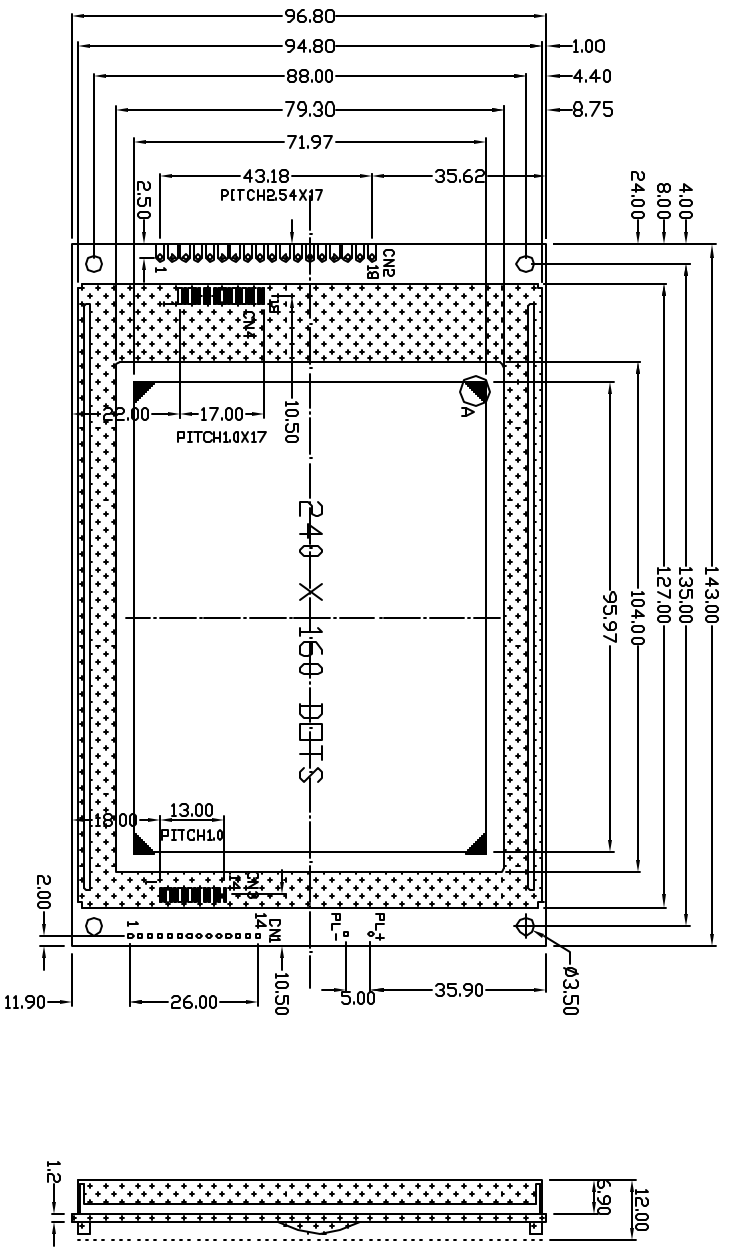


REVISIONS

NO.	DATE	BY	DESCRIPTION
1	01/06/18	A.C.H	NEW RELEASE



PINS ASSIGNMENT

NO.	SYMBOL	CN1	CN2	SYMBOL
1	FRAME		VSS	
2	M		VDD	
3	CL1		V0	
4	CL2		/WR	
5	DISP OFF		/RD	
6-9	DO-03		DO-03	/CS
10	VDD			A0
11	VSS			/RES
12	VEE			DBL-DB7
13	V0			ELC
14	FG			VEE

PL+ POWER SUPPLY FOR LED BACKLIGHT (+)  
PL- POWER SUPPLY FOR LED BACKLIGHT (-)

ABSOLUTE MAXIMUM RATING

ITEM	SYMBOL	MIN	MAX	UNIT
POWER SUPPLY LOGIC	VDD-VSS	0	6.5	V
POWER SUPPLY (LCD DRV)/VDD-V0	VDD-V0	0	18.0	V
INPUT VOLTAGE	VI	VI	VI	VDD

ELECTRICAL CHARACTERISTICS

ITEM	SYMBOL	MIN	TYP	MAX	UNIT
VOLTAGE FOR LOGIC	VDD-VSS	4.75	5.0	5.25	V
SUPPLY CURRENT	I <sub>DD</sub>	-	180	-	μA
LCD OPERATING	VDD-V0	-	180	-	V
VOLTAGE	V <sub>CS</sub>	-	1.75	-	V
INPUT VOLTAGE	H	VH	0.7VDD	-	V
	L	VIL	0	-	V

MECHANICAL SPECIFICATIONS

ITEM	SPECIFICATION	UNIT
OVERALL SIZE	143.00V x 96.50H x 12.0T	MM
VUEVING AREA	104.0V x 79.3H	MM
DOT NUMBER	240 x 160	DOTS
DOT SIZE	0.37W x 0.40H	MM
DOT PITCH	0.43W x 0.43H	MM

- OPTIONS
- LCD TYPE: 1/6 STN, GRAY STN, B/V FSTN
  - BACKLIGHT: WITHOUT BACKLIGHT, LED, EL, CCFL
  - COLOR OF BACKLIGHT: Y/G, BLUE, WHITE
  - TEMPERATURE RANGE: NORMAL(0--50C)
  - POWER SUPPLY: ON BOARD DC/DC(SINGLE 50V), 6VUEVING ANGLE: 64°

NT-G2401601A

240X160 DOTS GRAPHIC LCM



NELY, YOUR SUPPLIER, AND YOUR PARTNER!

ALL DIMENSIONS ARE IN MM, TOLERANCE IS +/-0.2 UNLESS OTHERWISE NOTED.

