

# Product Specification

Part Name : OEL Display Module  
Customer Part ID :  
WiseChip Part ID : UG-5664GSWHG01  
Doc No. : SAS1-0E035-D

Customer:

Approved by

CONFIDENTIAL

From: WiseChip Semiconductor Inc.

Approved by

## WiseChip Semiconductor Inc.

8, Kebei RD 2, Science Park, Chu-Nan, Taiwan 350, R.O.C.

### Notes:

1. Please contact WiseChip Semiconductor Inc. before assigning your product based on this module specification
2. The information contained herein is presented merely to indicate the characteristics and performance of our products. No responsibility is assumed by WiseChip Semiconductor Inc. for any intellectual property claims or other problems that may result from application based on the module described herein.



Revised History

Part Number	Revision	Revision Content	Revised on
UG-5664GSWHG01	A	New	May 17, 2016
UG-5664GSWHG01	B	Page 1 Section 1.2 - Updated Weight Page 5 Section 2 - Updated Lifetime Page 6 Section 3.1 - Revised Optics Characteristics	May 26, 2016
UG-5664GSWHG01	C	Page 4 Section 2 - Correct pin symbol	July 13, 2016
UG-5664GSWHG01	D	Page 4 Section 2 - Revised DC Characteristics	January 9, 2017
<b>CONFIDENTIAL</b>			



Contents

Revision History.....i
Contents.....ii
1. Basic Specifications.....1~4
1.1 Display Specifications .....1
1.2 Mechanical Specifications.....1
1.3 Active Area / Memory Mapping & Pixel Construction .....1
1.4 Mechanical Drawing.....2
1.5 Pin Definition .....3
2. Absolute Maximum Ratings .....5
3. Optics & Electrical Characteristics .....6~15
3.1 Optics Characteristics .....6
3.2 DC Characteristics .....6
3.3 AC Characteristics .....7
4. Functional Specification.....16~19
4.1 Commands .....16
4.2 Power down and Power up Sequence .....16
4.2.1 Power up Sequence.....16
4.2.2 Power down Sequence.....16
4.3 Reset Circuit .....16
4.4 Application circuit.....17
4.4.1 6800-Series MPU Parallel Interface.....17
4.4.2 8080-Series MPU Parallel Interface.....18
4.4.3 4 wire SPI.....19
4.4.4 3 wire SPI.....20
4.4.5 I2C interface.....21
4.5 Actual Application Example .....22
5. Reliability .....24
5.1 Contents of Reliability Tests .....24
5.2 Failure Check Standard .....24
6. Outgoing Quality Control Specifications.....25~28
6.1 Environment Required .....25
6.2 Sampling Plan .....25
6.3 Criteria & Acceptable Quality Level .....25
6.3.1 Cosmetic Check (Display Off) in Non-Active Area.....25
6.3.2 Cosmetic Check (Display Off) in Active Area.....27
6.3.3 Pattern Check (Display On) in Active Area.....28
7. Package Specifications.....29
8. Precautions When Using These OEL Display Modules .....30~32
8.1 Handling Precautions.....30
8.2 Storage Precautions.....30
8.3 Designing Precautions .....31
8.4 Precautions when disposing of the OEL display modules .....31
8.5 Other Precautions.....31
Warranty.....32
Notice.....32

CONFIDENTIAL

## 1. Basic Specifications

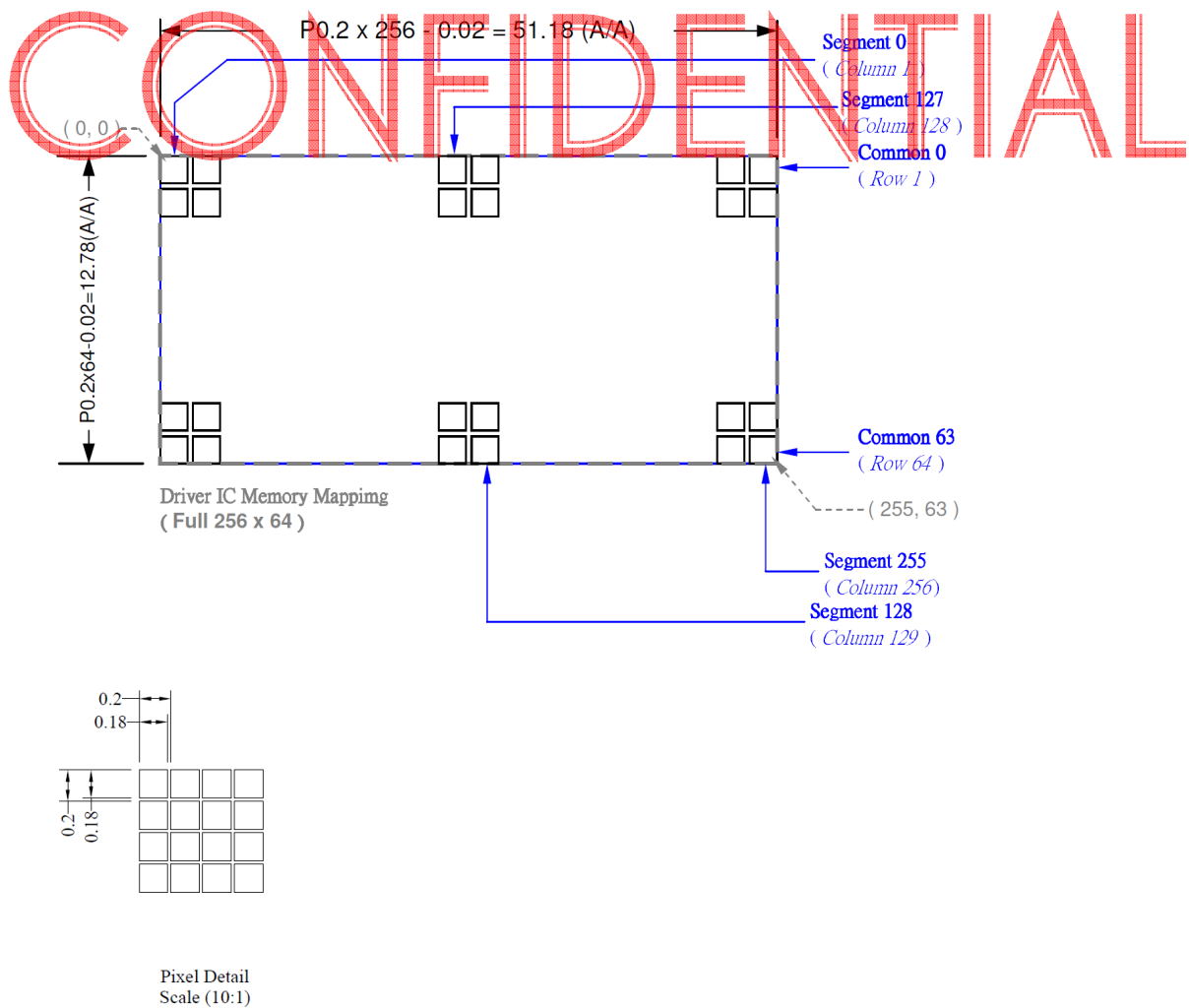
### 1.1 Display Specifications

- 1) Display Mode : Passive Matrix
- 2) Display Color : Monochrome with 16 Gray Scales (White)
- 3) Drive Duty : 1/64 Duty

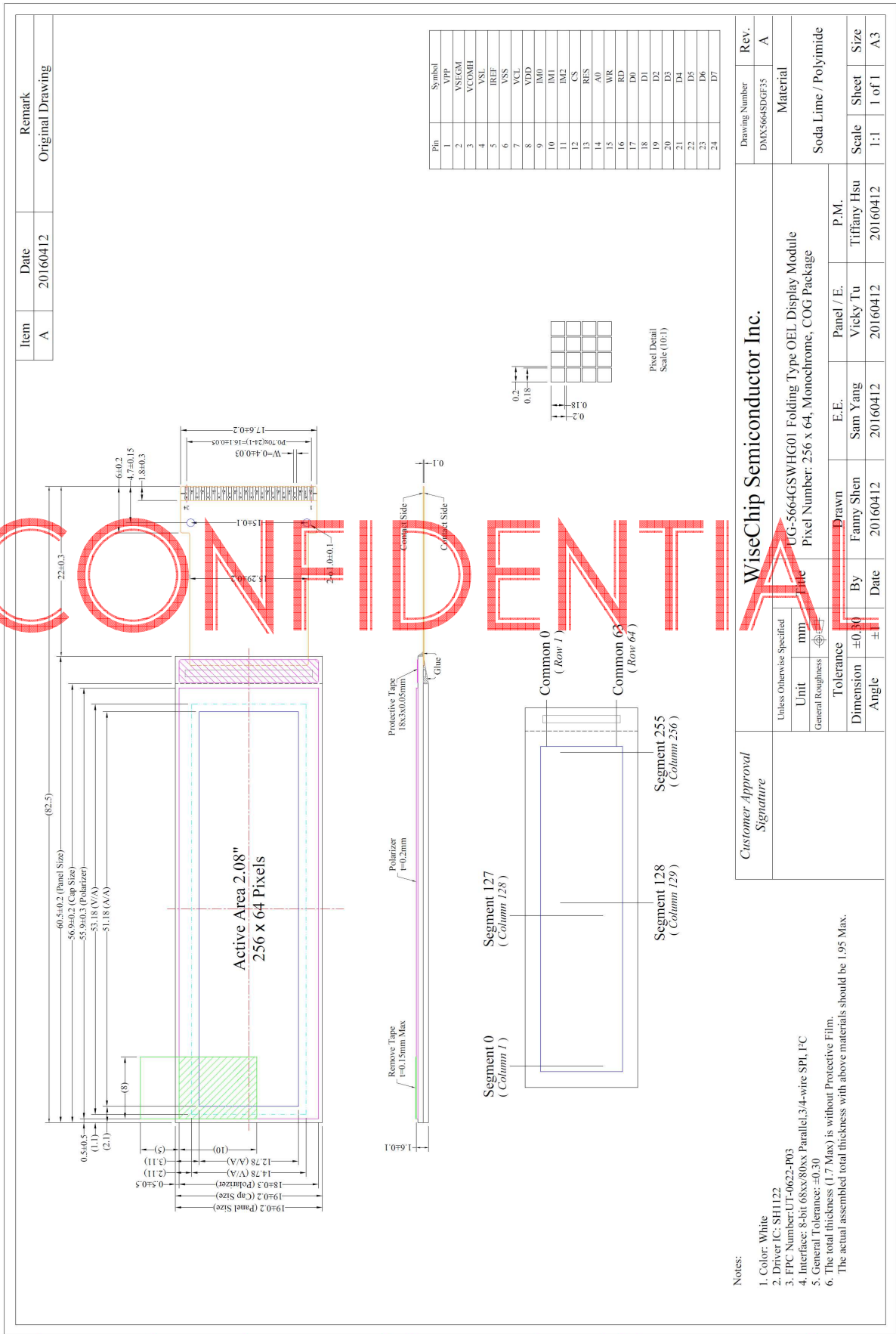
### 1.2 Mechanical Specifications

- 1) Outline Drawing : According to the annexed outline drawing
- 2) Number of Pixels : 256 × 64
- 3) Module Size : 82.50 × 19.00 × 1.60 (mm)
- 4) Panel Size : 60.50 × 19.00 × 1.60 (mm) including "Anti-Glare Polarizer"
- 5) Active Area : 51.18 × 12.78 (mm)
- 6) Pixel Pitch : 0.20 × 0.20 (mm)
- 7) Pixel Size : 0.18 × 0.18 (mm)
- 8) Weight : 3.875 (g) ± 10%

### 1.3 Active Area / Memory Mapping & Pixel Construction



1.4 Mechanical Drawing



The drawing contained herein is the exclusive property of WiseChip. It is not allowed to copy, reproduce or disclose in any formats without permission of WiseChip.

**1.5 Pin Definition**

Pin Number	Symbol	I/O	Function																								
<b>Power Supply</b>																											
1	VPP	P	<b>Power Supply for OEL Panel</b> These are the most positive voltage supply pin of the chip. They must be connected to external source.																								
6	VSS	P	<b>Ground of Logic Circuit</b> This is a ground pin. It also acts as a reference for the logic pins. It must be connected to external ground.																								
8	VDD	P	<b>Power Supply for Operation</b> This is a voltage supply pin. It must be connected to external source.																								
<b>Driver</b>																											
2	VSEGM	O	<b>Voltage Output High Level for Segment Pre-Charge</b> This pin is for the voltage output high level for SEG pre-charge. A capacitor should be connected between this pin and GND.																								
3	VCOMH	O	<b>Voltage Output High Level for COM Signal</b> This pin is for the voltage output high level for COM signals. A capacitor should be connected between this pin and GND.																								
4	VSL	P	<b>Voltage Reference of Segment</b> This pin is segment voltage reference pin. A capacitor should be connected between this pin and GND.																								
5	IREF	O	<b>Current Reference for Brightness Adjustment</b> This pin is segment current reference pin. A resistor should be connected between this pin and GND. Set the current at 15.625 $\mu$ A maximum.																								
7	VCL	P	<b>Voltage Reference of Common</b> This pin is Common voltage reference pin. This pad should be connected VSS externally.																								
<b>Interface</b>																											
9 10 11	IM0 IM1 IM2	I	<b>Communicating Protocol Select</b> These pins are MCU interface selection input. See the following table: <table border="1" style="margin-left: 20px;"> <thead> <tr> <th>Interface mode</th> <th>IM0</th> <th>IM1</th> <th>IM2</th> </tr> </thead> <tbody> <tr> <td>3-wire Serial</td> <td>1</td> <td>0</td> <td>0</td> </tr> <tr> <td>4-wire Serial</td> <td>0</td> <td>0</td> <td>0</td> </tr> <tr> <td>I<sup>2</sup>C</td> <td>0</td> <td>1</td> <td>0</td> </tr> <tr> <td>8-bit 68XX Parallel</td> <td>0</td> <td>0</td> <td>1</td> </tr> <tr> <td>8-bit 80XX Parallel</td> <td>0</td> <td>1</td> <td>1</td> </tr> </tbody> </table>	Interface mode	IM0	IM1	IM2	3-wire Serial	1	0	0	4-wire Serial	0	0	0	I <sup>2</sup> C	0	1	0	8-bit 68XX Parallel	0	0	1	8-bit 80XX Parallel	0	1	1
Interface mode	IM0	IM1	IM2																								
3-wire Serial	1	0	0																								
4-wire Serial	0	0	0																								
I <sup>2</sup> C	0	1	0																								
8-bit 68XX Parallel	0	0	1																								
8-bit 80XX Parallel	0	1	1																								
12	CS	I	<b>Chip Select</b> This pin is the chip select input. The chip is enabled for MCU communication only when CS# is pulled low.																								
13	RES	I	<b>Power Reset for Controller and Driver</b> This pin is reset signal input. When the pin is low, initialization of the chip is executed. Keep this pin pull high during normal operation.																								
14	A0	I	<b>Data/Command Control</b> This pin is Data/Command control pin. When the pin is pulled high, the input at D7~D0 is treated as display data. When the pin is pulled low, the input at D7~D0 will be transferred to the command register. In I <sup>2</sup> C interface, this pad serves as SA0 to distinguish the different address. For detail relationship to MCU interface signals, please refer to the Timing Characteristics Diagrams.																								
15	WR (R/W)	I	<b>Read/Write Select or Write</b> This pin is MCU interface input. When interfacing to a 68XX-series microprocessor, this pin will be used as Read/Write (R/W#) selection input. Pull this pin to "High" for read mode and pull it to "Low" for write mode. When 80XX interface mode is selected, this pin will be the Write (WR#) input. Data write operation is initiated when this pin is pulled low and the CS# is pulled low. When serial mode is selected, this pin must be connected to V <sub>SS</sub> .																								

**1.5 Pin Definition (Continued)**

Pin Number	Symbol	I/O	Function
<b><i>Interface (Continued)</i></b>			
16	RD	I	<p><b>Read/Write Enable or Read</b>            This pin is MCU interface input.            When interfacing to a 68XX-series microprocessor, this pin will be used as the Enable (E) signal. Read/write operation is initiated when this pin is pulled high and the CS# is pulled low.            When connecting to an 80XX-microprocessor, this pin receives the Read (RD#) signal. Data read operation is initiated when this pin is pulled low and CS# is pulled low.            When serial mode is selected, this pin must be connected to V<sub>SS</sub>.</p>
17~24	D0~D7	I/O	<p><b>Host Data Input/Output Bus</b>            These pins are 8-bit bi-directional data bus to be connected to 8-bit standard MPU data bus.            When serial mode is selected, D1 will be the serial data input pad (SI) and D0 will be the serial clock input pad (SCL). At this time, D2 to D7 are set to high impedance.            When I<sup>2</sup>C interface is selected, D1 will be the serial data input pad (SDA) and D0 will be the serial clock input pad (SCL). At this time, D2 to D7 are set to high impedance.</p>

CONFIDENTIAL



2. Absolute Maximum Ratings

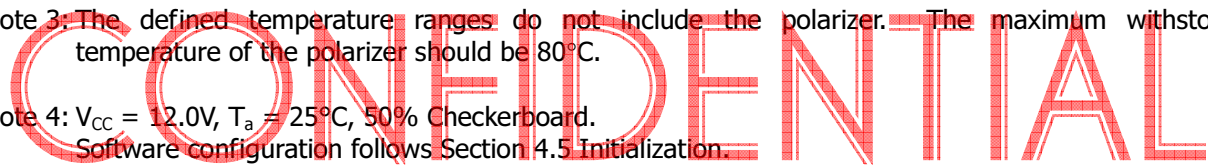
Parameter	Symbol	Min	Max	Unit	Notes
Supply Voltage for Core Operation	V <sub>DD</sub>	-0.3	3.6	V	1, 2
Supply Voltage for Display	V <sub>PP</sub>	-0.3	14.5	V	1, 2
Operating Temperature	T <sub>OP</sub>	-40	70	°C	3
Storage Temperature	T <sub>STG</sub>	-40	85	°C	3
Life Time (150 cd/m <sup>2</sup> )		15,000	-	hour	4
Life Time (120 cd/m <sup>2</sup> )		20,000	-	hour	

Note 1: All the above voltages are on the basis of "V<sub>SS</sub> = 0V".

Note 2: When this module is used beyond the above absolute maximum ratings, permanent breakage of the module may occur. Also, for normal operations, it is desirable to use this module under the conditions according to Section 3. "Optics & Electrical Characteristics". If this module is used beyond these conditions, malfunctioning of the module can occur and the reliability of the module may deteriorate.

Note 3: The defined temperature ranges do not include the polarizer. The maximum withstood temperature of the polarizer should be 80°C.

Note 4: V<sub>CC</sub> = 12.0V, T<sub>a</sub> = 25°C, 50% Checkerboard.  
Software configuration follows Section 4.5 Initialization.  
End of lifetime is specified as 50% of initial brightness reached. The average operating lifetime at room temperature is estimated by the accelerated operation at high temperature conditions.





### 3. Optics & Electrical Characteristics

#### 3.1 Optics Characteristics

Characteristics	Symbol	Conditions	Min	Typ	Max	Unit
Brightness	$L_{br}$	Note 5	120	150	-	cd/m <sup>2</sup>
C.I.E. (White)	(X) (Y)	C.I.E. 1931	0.25 0.29	0.29 0.33	0.33 0.37	
Dark Room Contrast	CR		-	>10,000:1	-	
Viewing Angle			-	Free	-	degree

\* Optical measurement taken at  $V_{DD} = 3.0V$ ,  $V_{CC} = 12.0V$ .  
Software configuration follows Section 4.5 Initialization.

#### 3.2 DC Characteristics

Characteristics	Symbol	Conditions	Min	Typ	Max	Unit
Supply Voltage for Operation	$V_{DD}$		1.65	3.0	3.5	V
Supply Voltage for Display	$V_{CC}$	Note 5	11.5	12.0	12.5	
High Level Input	$V_{IHC}$		$0.8 \times V_{DD}$	-	$V_{DD}$	V
Low Level Input	$V_{ILEC}$		$V_{SS}$	-	$0.2 \times V_{DD}$	V
High Level Output	$V_{OHC}$	$I_{OH} = -0.5mA$	$0.8 \times V_{DD}$	-	$V_{DD}$	V
Low Level Output	$V_{OLC}$	$I_{OL} = 0.5mA$	$V_{SS}$	-	$0.2 \times V_{DD}$	V
SDA low-level output voltage	$V_{OLCS}$	$V_{DD} < 2V$ , $I_{OL} = 0.3mA$	$V_{SS}$	-	$0.2 \times V_{DD}$	V
		$V_{DD} > 2V$ , $I_{OL} = 0.3mA$		-	0.4	V
Operating Current for $V_{DD}$	$I_{DD}$		-	110	160	$\mu A$
Operating Current for $V_{PP}$	$I_{PP}$	Note 6		13.0	16.3	mA
		Note 7	-	21.0	26.3	mA
		Note 8	-	40.4	50.5	mA
Sleep Mode Current for $V_{DD}$	$I_{DD, SLEEP}$		-	-	5	$\mu A$
Sleep Mode Current for $V_{PP}$	$I_{PP, SLEEP}$		-	-	5	$\mu A$

Note 5: Brightness ( $L_{br}$ ) and Supply Voltage for Display ( $V_{PP}$ ) are subject to the change of the panel characteristics and the customer's request.

Note 6:  $V_{DD} = 2.8V$ ,  $V_{PP} = 12.0V$ , 30% Display Area Turn on.

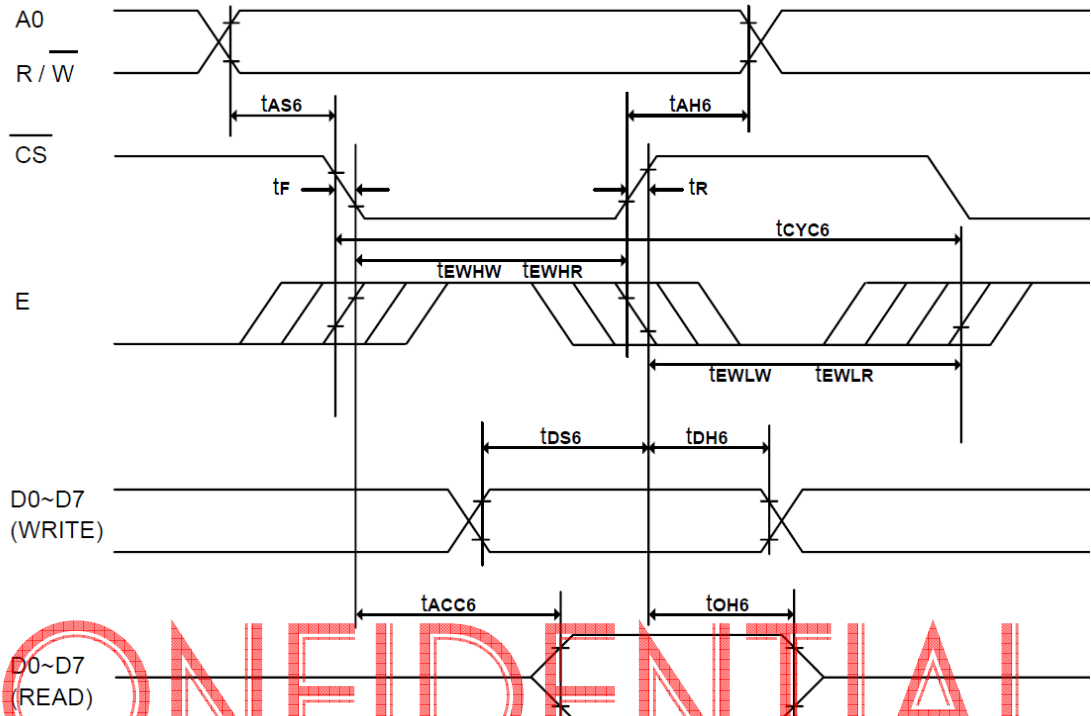
Note 7:  $V_{DD} = 2.8V$ ,  $V_{PP} = 12.0V$ , 50% Display Area Turn on.

Note 8:  $V_{DD} = 2.8V$ ,  $V_{PP} = 12.0V$ , 100% Display Area Turn on.

\* Software configuration follows Section 4.5 Initialization.

3.3 AC Characteristics

3.3.1 6800-Series MPU Parallel Interface Timing Characteristics:



CONFIDENTIAL

Symbol	Description	Min	Max	Unit
$t_{cyc6}$	System cycle time	600	-	ns
$t_{AS6}$	Address Setup Time	0	-	ns
$t_{AH6}$	Address Hold Time	0	-	ns
$t_{DS6}$	Data Setup Time	80	-	ns
$t_{DH6}$	Data Hold Time	30	-	ns
$t_{CH6}$	Output Disable Time ( $C_L=100pF$ )	20	140	ns
$t_{ACC6}$	Access Time ( $C_L=100pF$ )	-	280	ns
$t_{EWHW}$	Enable H pulse width(Write)	200	-	ns
$t_{EWHR}$	Enable H pulse width(Read)	240	-	ns
$t_{EWLW}$	Enable L pulse width(Writw)	200	-	ns
$t_{EWLR}$	Enable L pulse width(Read)	200	-	ns
$t_R$	Rise Time	-	30	ns
$t_F$	Fall Time	-	30	ns

\* ( $V_{DD} - V_{SS} = 1.65V - 3.5V$ ,  $T_A = +25^\circ C$ )

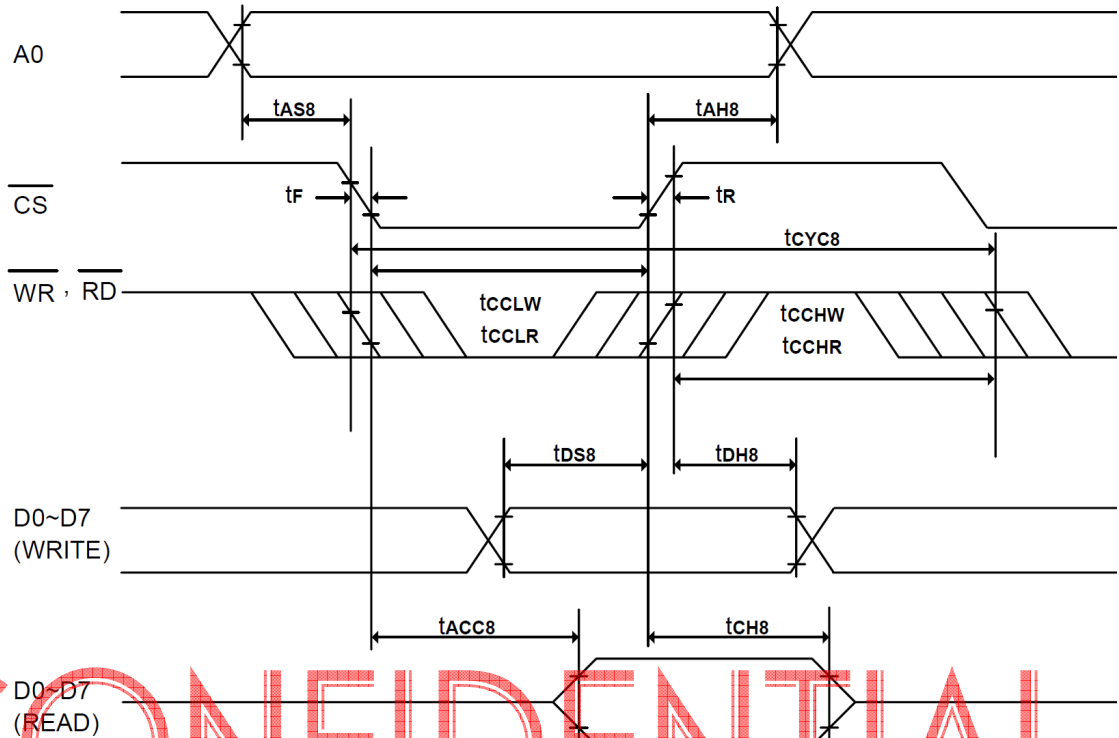


Symbol	Description	Min	Max	Unit
$t_{cyc6}$	System cycle time	300	-	ns
$t_{AS6}$	Address Setup Time	0	-	ns
$t_{AH6}$	Address Hold Time	0	-	ns
$t_{DS6}$	Data Setup Time	40	-	ns
$t_{DH6}$	Data Hold Time	15	-	ns
$t_{CH6}$	Output Disable Time ( $C_L=100pF$ )	10	70	ns
$t_{ACC6}$	Access Time ( $C_L=100pF$ )	-	140	ns
$t_{EWHW}$	Enable H pulse width(Write)	100	-	ns
$t_{EWHR}$	Enable H pulse width(Read)	120	-	ns
$t_{EWLW}$	Enable L pulse width(Writw)	100	-	ns
$t_{EWLR}$	Enable L pulse width(Read)	100	-	ns
$t_R$	Rise Time	-	15	ns
$t_F$	Fall Time	-	15	ns

\* ( $V_{DD} - V_{SS} = 2.4V-3.5V, T_A = +25^{\circ}C$ )

CONFIDENTIAL

## 3.3.2 8080-Series MPU Parallel Interface Timing Characteristics:



CONFIDENTIAL

Symbol	Description	Min	Max	Unit
$t_{cyc8}$	System cycle time	600	-	ns
$t_{AS8}$	Address Setup Time	0	-	ns
$t_{AH8}$	Address Hold Time	0	-	ns
$t_{DS8}$	Data Setup Time	80	-	ns
$t_{DH8}$	Data Hold Time	30	-	ns
$t_{CH8}$	Output Disable Time ( $C_L=100pF$ )	20	140	ns
$t_{ACC8}$	Access Time ( $C_L=100pF$ )	-	280	ns
$t_{CCLW}$	Control L pulse width(WR)	200	-	ns
$t_{CCLR}$	Control L pulse width(RD)	240	-	ns
$t_{CCHW}$	Control H pulse width(WR)	200	-	ns
$t_{CCHR}$	Control H pulse width(RD)	200	-	ns
$t_R$	Rise Time	-	30	ns
$t_F$	Fall Time	-	30	ns

\* ( $V_{DD} - V_{SS} = 1.65V - 3.5V$ ,  $T_A = +25^\circ C$ )

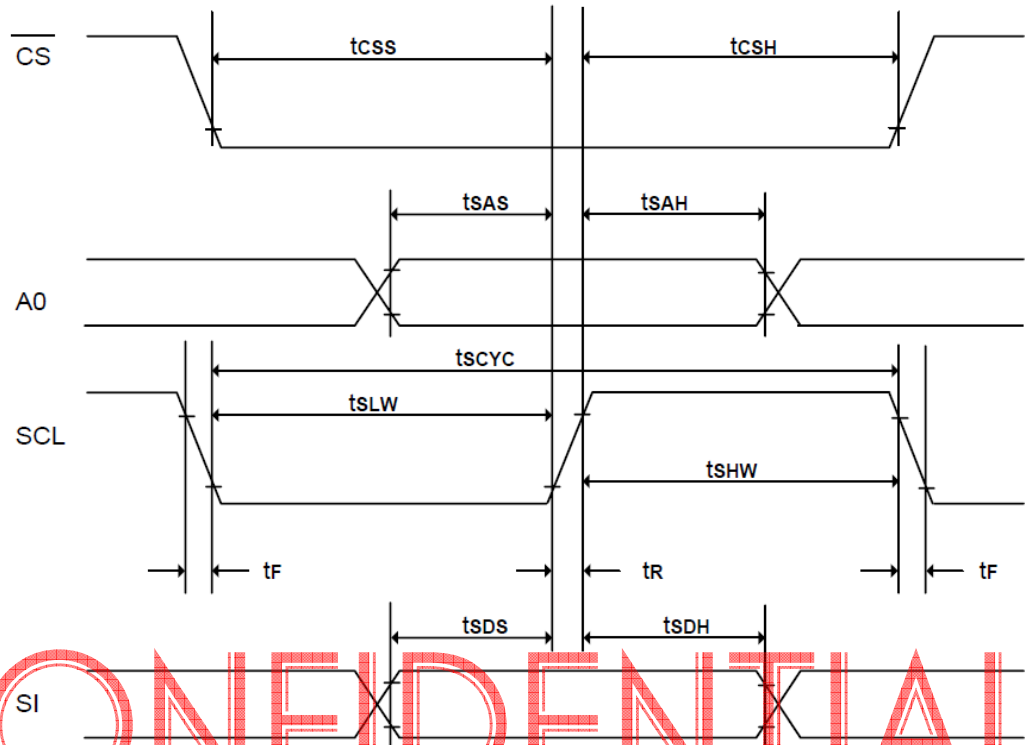


Symbol	Description	Min	Max	Unit
$t_{cyc8}$	System cycle time	300	-	ns
$t_{AS8}$	Address Setup Time	0	-	ns
$t_{AH8}$	Address Hold Time	0	-	ns
$t_{DS8}$	Data Setup Time	40	-	ns
$t_{DH8}$	Data Hold Time	15	-	ns
$t_{CH8}$	Output Disable Time ( $C_L=100pF$ )	10	70	ns
$t_{ACC8}$	Access Time ( $C_L=100pF$ )	-	140	ns
$t_{CCLW}$	Control L pulse width(WR)	100	-	ns
$t_{CCLR}$	Control L pulse width(RD)	120	-	ns
$t_{CCHW}$	Control H pulse width(WR)	100	-	ns
$t_{CCHR}$	Control H pulse width(RD)	100	-	ns
$t_R$	Rise Time	-	15	ns
$t_F$	Fall Time	-	15	ns

\*(VDD-VSS = 2.4V-3.5V, TA = +25°C)

CONFIDENTIAL

3.3.3 Serial Interface Timing Characteristics: (4-wire SPI)



CONFIDENTIAL

Symbol	Description	Min	Max	Unit
$t_{cycle}$	Clock Cycle Time	500	-	ns
$t_{SAS}$	Address Setup Time	300	-	ns
$t_{SAH}$	Address Hold Time	300	-	ns
$t_{SDS}$	Write Data Setup Time	200	-	ns
$t_{SDH}$	Write Data Hold Time	200	-	ns
$t_{CSS}$	CS Setup Time	240	-	ns
$t_{CSH}$	CS Hold Time	120	-	ns
$t_{SHW}$	Serial Clock H pulse Time	200	-	ns
$t_{SLW}$	Serial Clock L pulse Time	200	-	ns
$t_R$	Rise Time	-	30	ns
$t_F$	Fall Time	-	30	ns

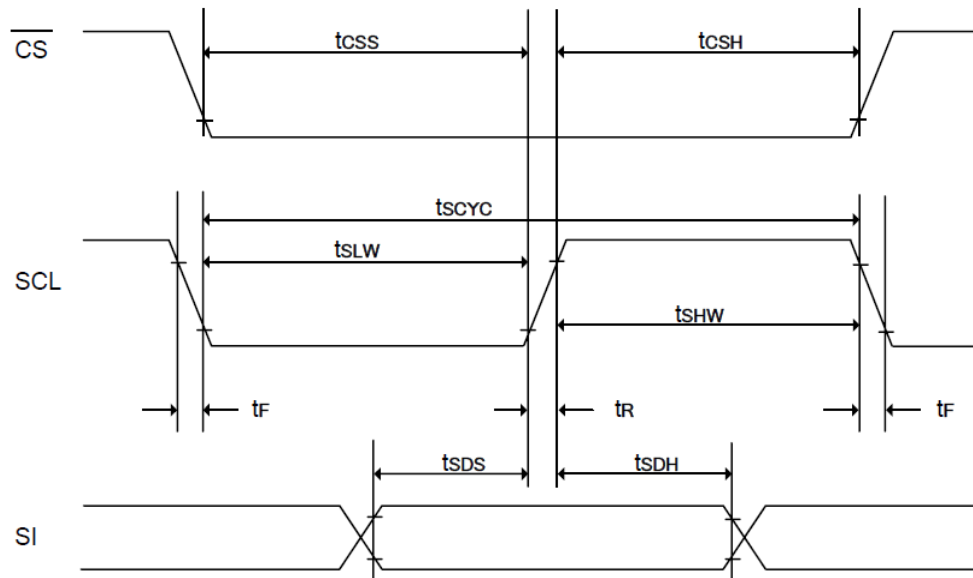
\* (VDD -VSS = 1.65V ~ 3.5V, TA = 25°C)

<b>Symbol</b>	<b>Description</b>	<b>Min</b>	<b>Max</b>	<b>Unit</b>
$t_{\text{cycle}}$	Clock Cycle Time	250	-	ns
$t_{\text{SAS}}$	Address Setup Time	150	-	ns
$t_{\text{SAH}}$	Address Hold Time	150	-	ns
$t_{\text{SDS}}$	Write Data Setup Time	100	-	ns
$t_{\text{SDH}}$	Write Data Hold Time	100	-	ns
$t_{\text{CSS}}$	CS Setup Time	120	-	ns
$t_{\text{CSH}}$	CS Hold Time	60	-	ns
$t_{\text{SHW}}$	Serial Clock H pulse Time	100	-	ns
$t_{\text{SLW}}$	Serial Clock L pulse Time	100	-	ns
$t_{\text{R}}$	Rise Time	-	15	ns
$t_{\text{F}}$	Fall Time	-	15	ns

\* (VDD -VSS = 2.4V ~ 3.5V, TA = 25°C)

CONFIDENTIAL

## 3.3.4 Serial Interface Timing Characteristics: (3-wire SPI)



Symbol	Description	Min	Max	Unit
$t_{cycle}$	Clock Cycle Time	500	-	ns
$t_{SDS}$	Write Data Setup Time	200	-	ns
$t_{SDH}$	Write Data Hold Time	200	-	ns
$t_{CSS}$	CS Setup Time	240	-	ns
$t_{CSH}$	CS Hold Time	120	-	ns
$t_{SHW}$	Serial Clock H pulse Time	200	-	ns
$t_{SLW}$	Serial Clock L pulse Time	200	-	ns
$t_R$	Rise Time	-	30	ns
$t_F$	Fall Time	-	30	ns

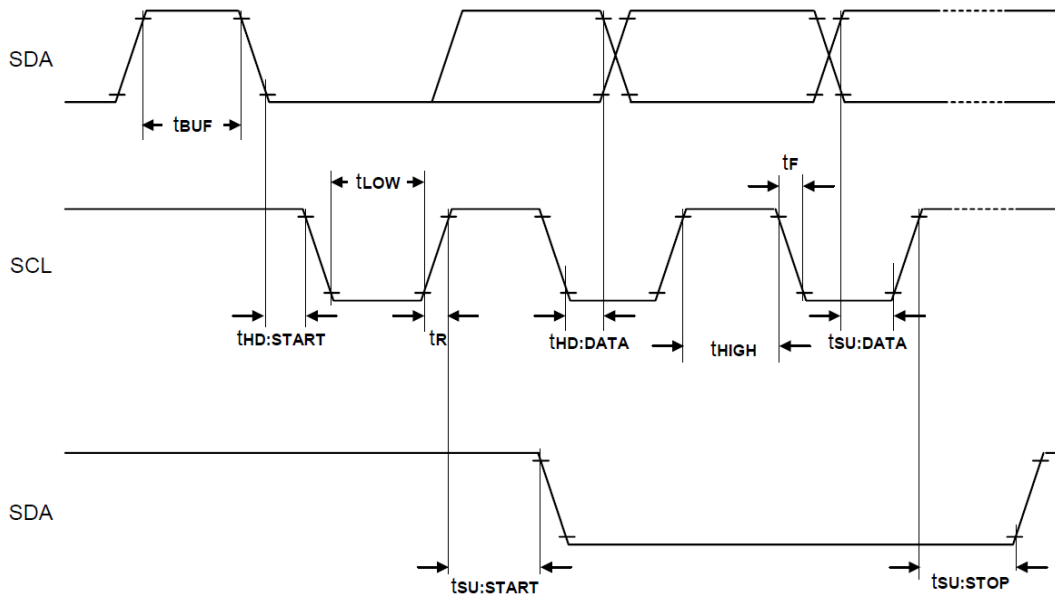
\* (VDD -VSS = 1.65V ~ 3.5V, TA = 25°C)

Symbol	Description	Min	Max	Unit
$t_{cycle}$	Clock Cycle Time	250	-	ns
$t_{SDS}$	Write Data Setup Time	100	-	ns
$t_{SDH}$	Write Data Hold Time	100	-	ns
$t_{CSS}$	CS Setup Time	120	-	ns
$t_{CSH}$	CS Hold Time	60	-	ns
$t_{SHW}$	Serial Clock H pulse Time	100	-	ns
$t_{SLW}$	Serial Clock L pulse Time	100	-	ns
$t_R$	Rise Time	-	15	ns
$t_F$	Fall Time	-	15	ns

\* (VDD -VSS = 2.4V ~ 3.5V, TA = 25°C)



3.3.5 I<sup>2</sup>C Interface Timing Characteristics:

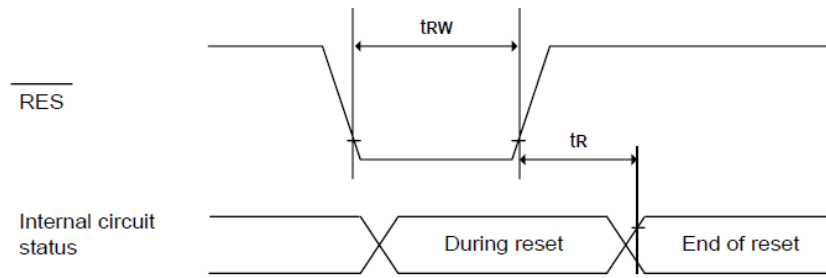


CONFIDENTIAL

Symbol	Description	Min	Max	Unit
$f_{SCL}$	SCL clock frequency	DC	400	kHz
$T_{LOW}$	SCL Clock L pulse Time	1.3	-	$\mu$ S
$T_{HIGH}$	SCL Clock H pulse Time	0.6	-	$\mu$ S
$T_{SU: DATA}$	Data Setup Time	100	-	ns
$T_{HU: DATA}$	Data Hold Time	0	0.9	$\mu$ S
$T_R$	SCL \ SDA rise Time	$20+0.1C_b$	300	ns
$T_F$	SCL \ SDA fall Time	$20+0.1C_b$	300	ns
$C_b$	Capacity load on each bus line	-	400	pF
$T_{SU: START}$	Setup Time for re-START	0.6	-	$\mu$ S
$T_{HU: START}$	START Hold Time	0.6	-	$\mu$ S
$T_{SU: STOP}$	Setup Time for STOP	0.6	-	$\mu$ S
$T_{BUF}$	Bus free time between STOP and START condition	1.3	-	$\mu$ S

\* (VDD -VSS = 1.65V ~ 3.5V, TA = 25°C)

3.3.6 Reset Timing Characteristics:



Symbol	Description	Min	Max	Unit
$t_R$	Reset Time	-	2	$\mu\text{s}$
$t_{RW}$	Reset low pulse Time	10	-	$\mu\text{s}$

\* (VDD -VSS = 1.65V ~ 3.5V, TA = 25°C)

Symbol	Description	Min	Max	Unit
$t_R$	Reset Time	-	1	$\mu\text{s}$
$t_{RW}$	Reset low pulse Time	5	-	$\mu\text{s}$

\* (VDD -VSS = 2.4V ~ 3.5V, TA = 25°C)

CONFIDENTIAL

## 4. Functional Specification

### 4.1 Commands

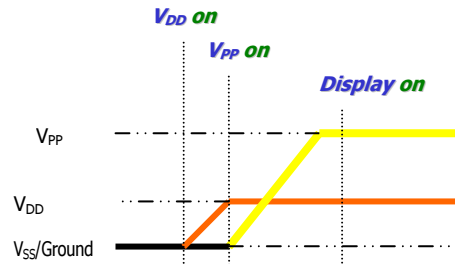
Refer to the Technical Manual for the SH1122

### 4.2 Power down and Power up Sequence

To protect OEL panel and extend the panel life time, the driver IC power up/down routine should include a delay period between high voltage and low voltage power sources during turn on/off. It gives the OEL panel enough time to complete the action of charge and discharge before/after the operation.

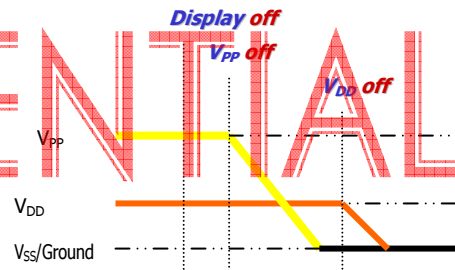
#### 4.2.1 Power up Sequence:

1. Power up  $V_{DD}$
2. Send Display off command
3. Initialization
4. Clear Screen
5. Power up  $V_{PP}$
6. Delay 200ms  
(When  $V_{PP}$  is stable)
7. Send Display on command



#### 4.2.2 Power down Sequence:

1. Send Display off command
2. Power down  $V_{PP}$
3. Delay 100ms  
(When  $V_{PP}$  is reach 0 and panel is completely discharges)
4. Power down  $V_{DD}$



#### Note 9:

- 1) Since an ESD protection circuit is connected between  $V_{DD}$  and  $V_{PP}$  inside the driver IC,  $V_{PP}$  becomes lower than  $V_{DD}$  whenever  $V_{PP}$  is OFF.
- 2)  $V_{PP}$  should be kept float (disable) when it is OFF.
- 3) Power Pins ( $V_{DD}$ ,  $V_{PP}$ ) can never be pulled to ground under any circumstance.
- 4)  $V_{DD}$  should not be power down before  $V_{PP}$  power down.

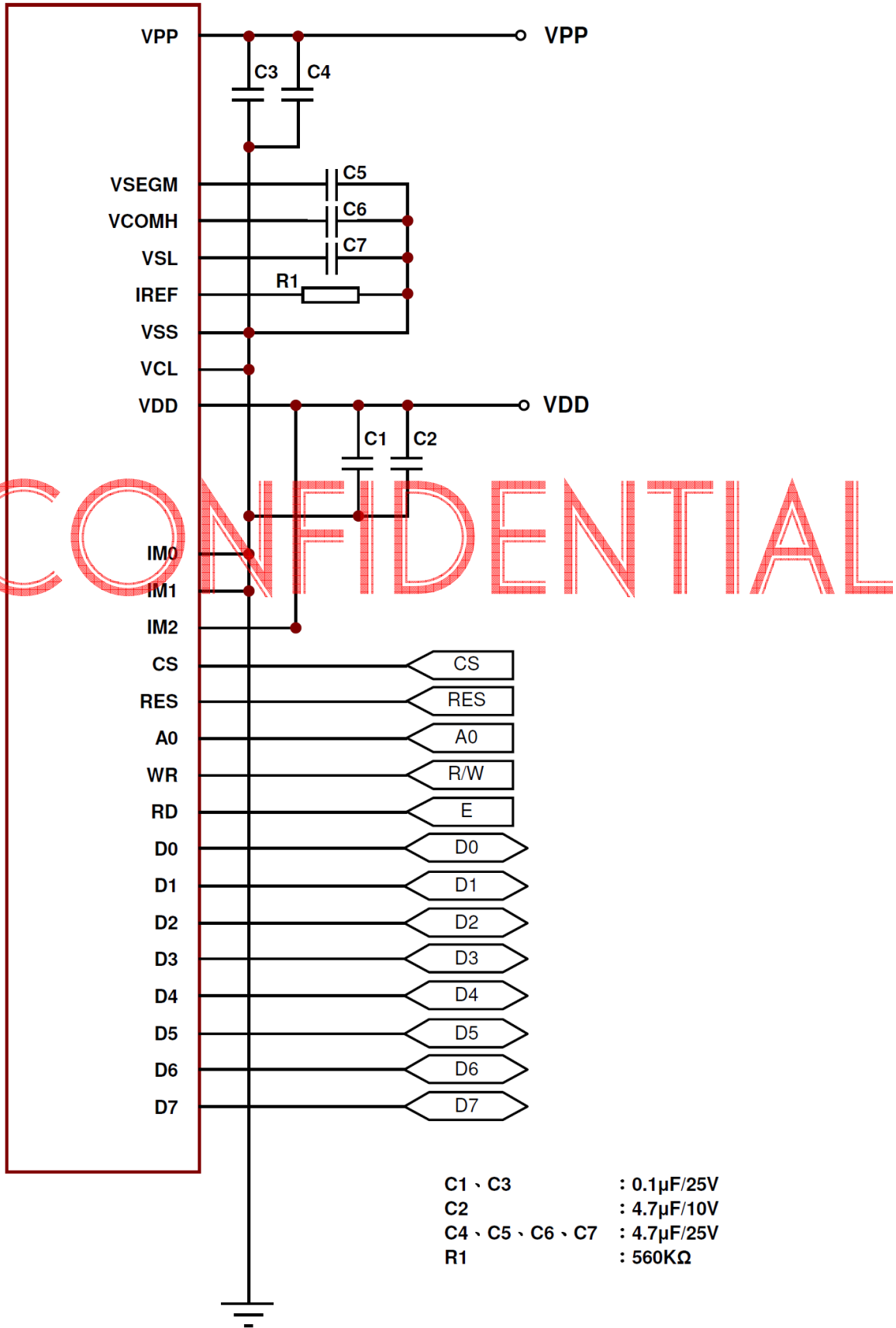
### 4.3 Reset Circuit

When RES# input is low, the chip is initialized with the following status:

1. Display is OFF. Common and Segment are in high impedance state.
2. 256 × 64 Display Mode
3. Normal segment and display data column and row address mapping (SEG0 mapped to column address 00h and COM0 mapped to row address 00h)
4. Shift register data clear in serial interface.
5. Display start line is set at display RAM address 00H
6. Column address counter is set at 0
7. Normal scanning direction of the Common outputs
8. Contrast control register is set at 80H
9. Internal DC-DC is selected.

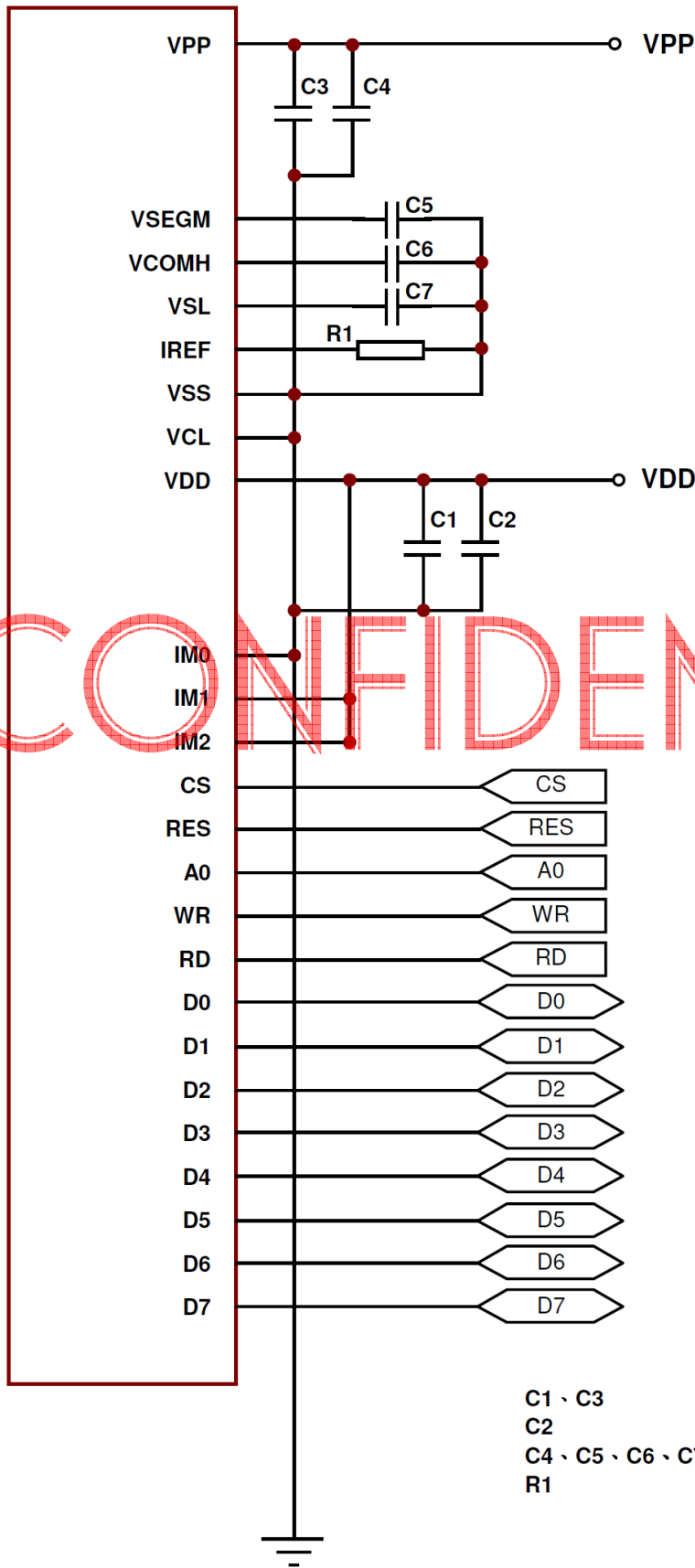
**4.4 Application circuit**

4.4.1 6800-Series MPU Parallel Interface



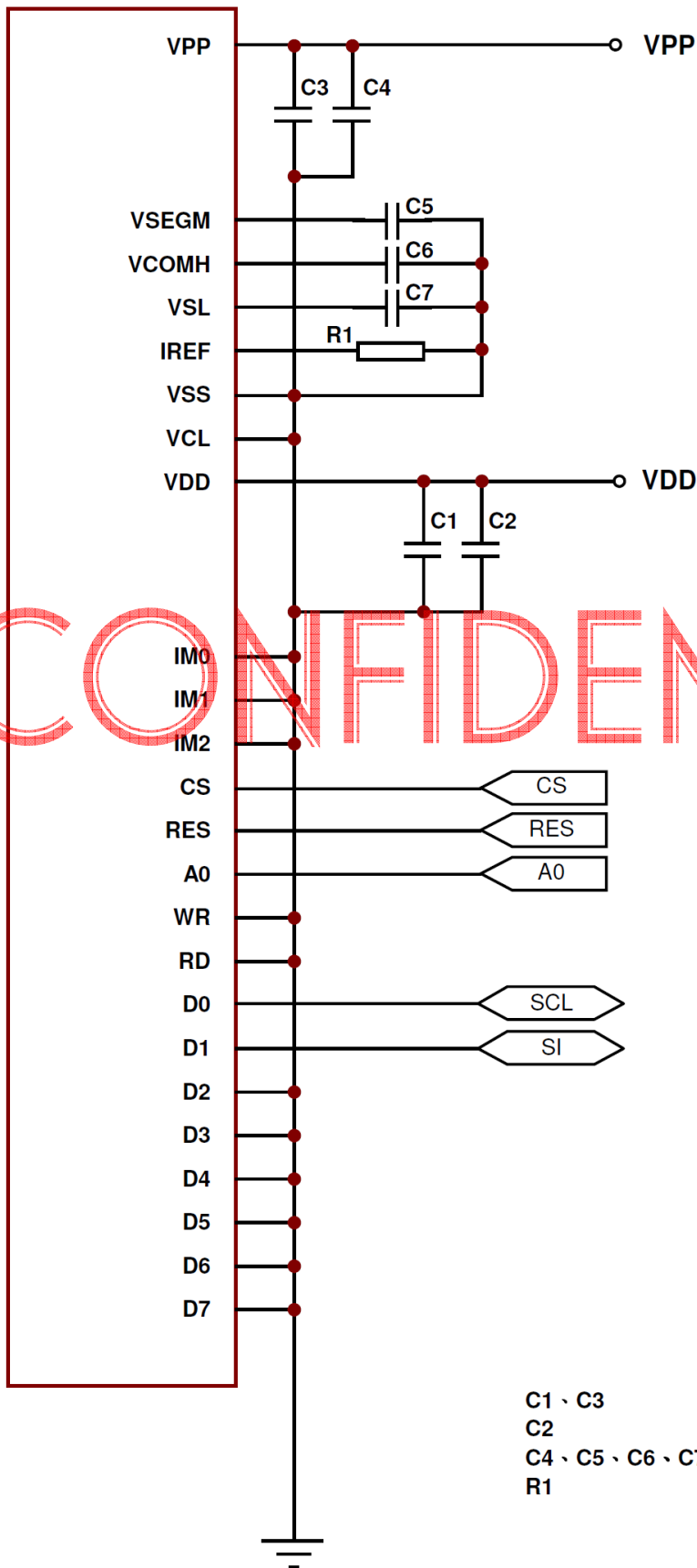
CONFIDENTIAL

4.4.2 8080-Series MPU Parallel Interface

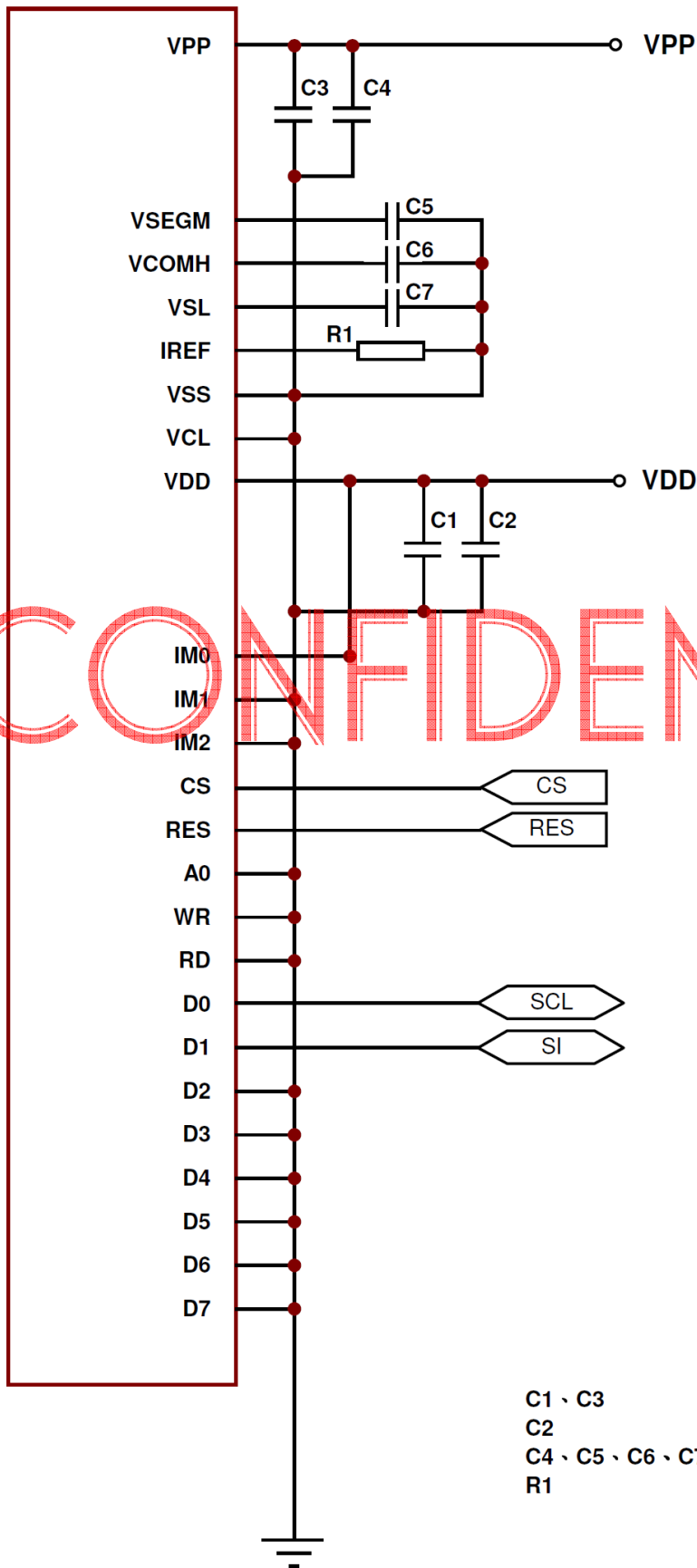


- C1、C3 : 0.1 $\mu$ F/25V
- C2 : 4.7 $\mu$ F/10V
- C4、C5、C6、C7 : 4.7 $\mu$ F/25V
- R1 : 560K $\Omega$

4.4.3 4wire SPI

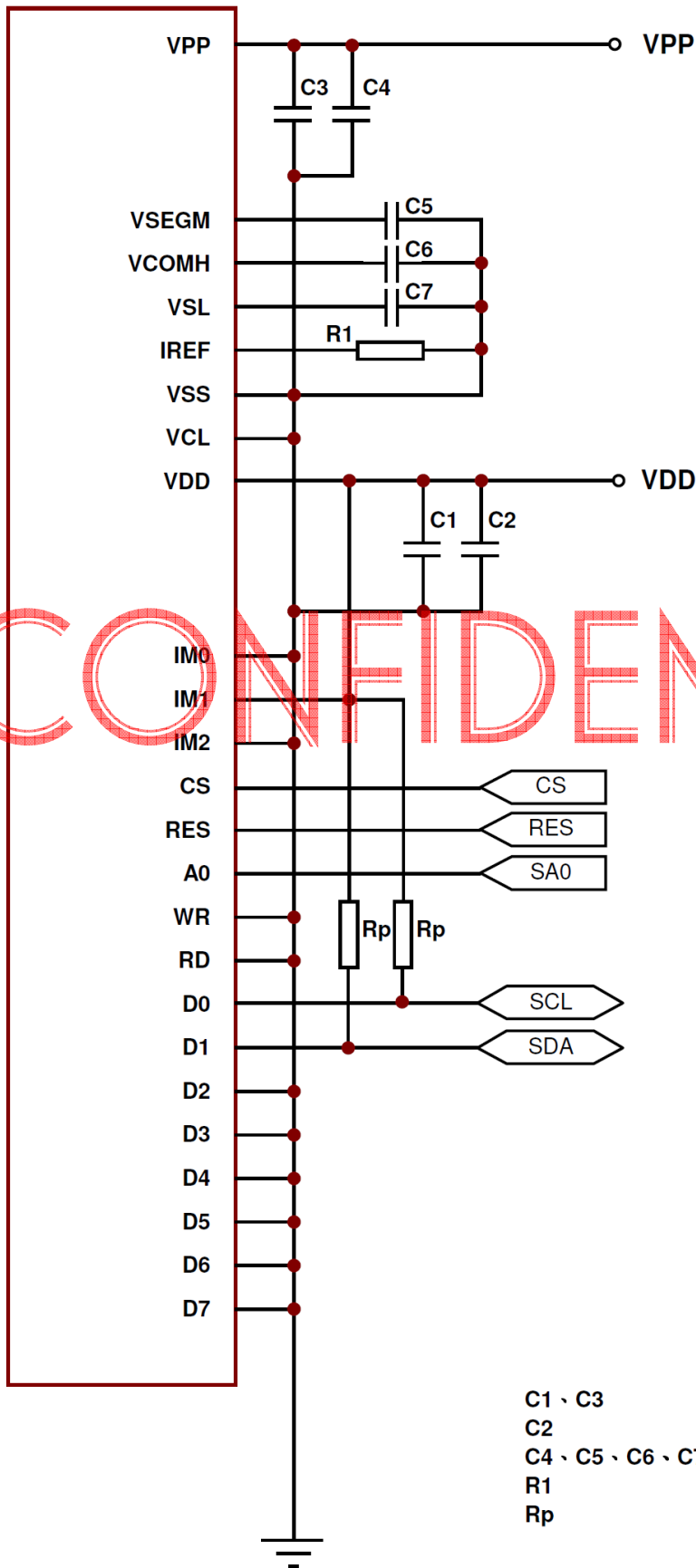


4.4.4 3wire SPI



CONFIDENTIAL

4.4.5 I<sup>2</sup>C interface

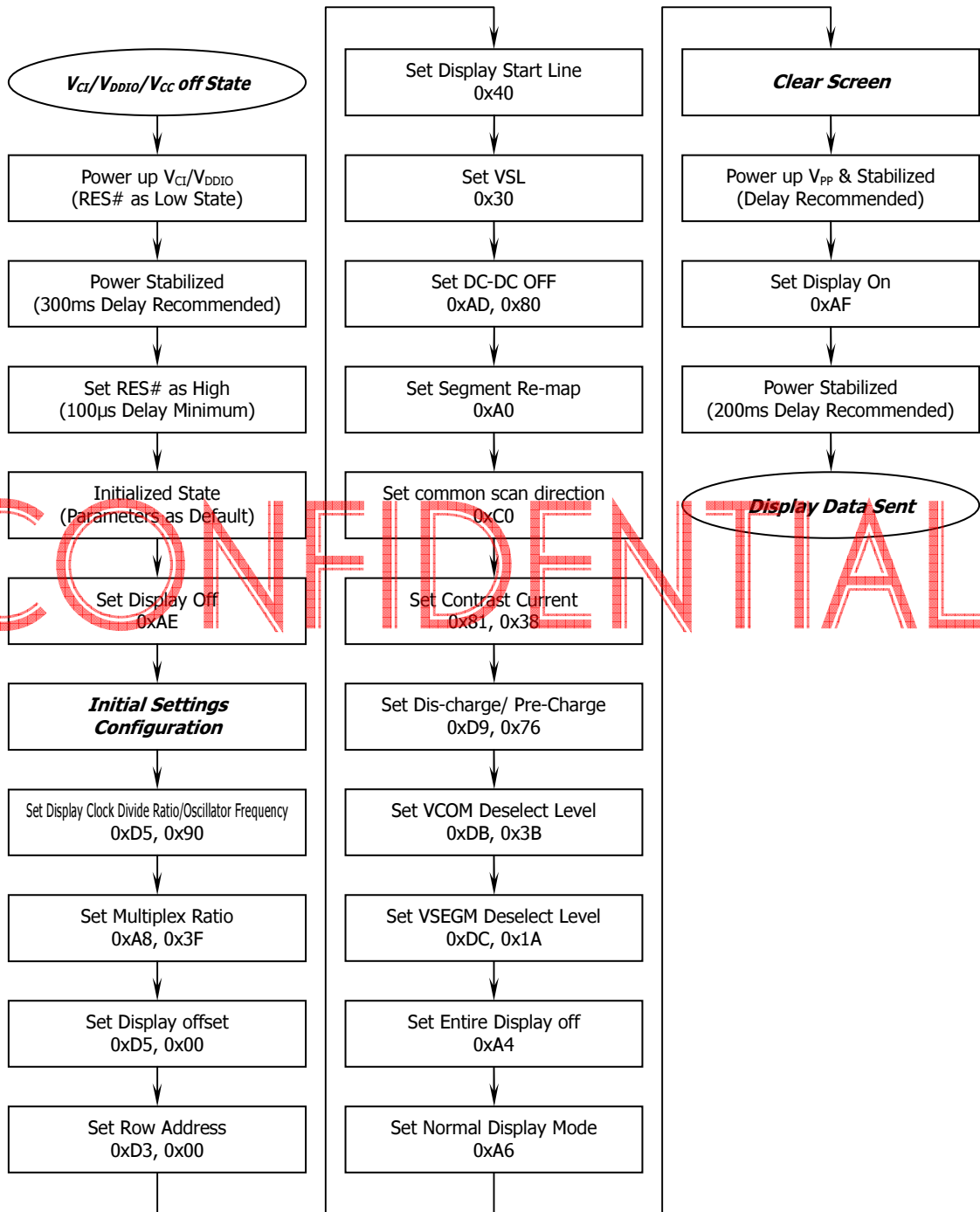




**4.5 Actual Application Example**

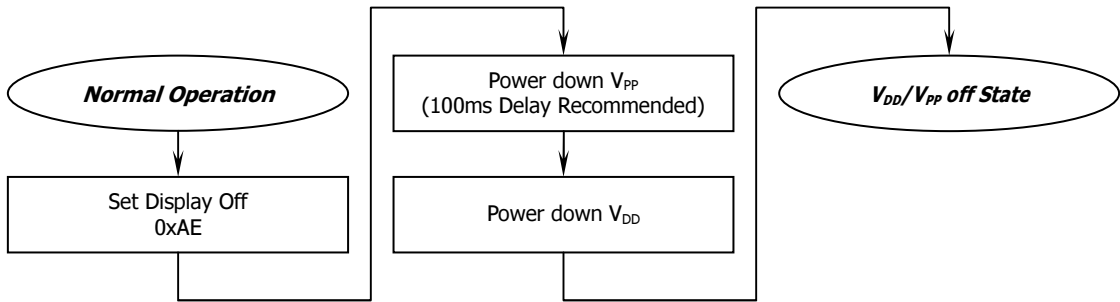
Command usage and explanation of an actual example

<Power up Sequence>

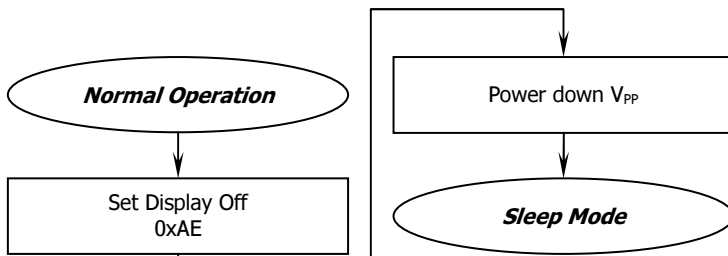


If the noise is accidentally occurred at the displaying window during the operation, please reset the display in order to recover the display function.

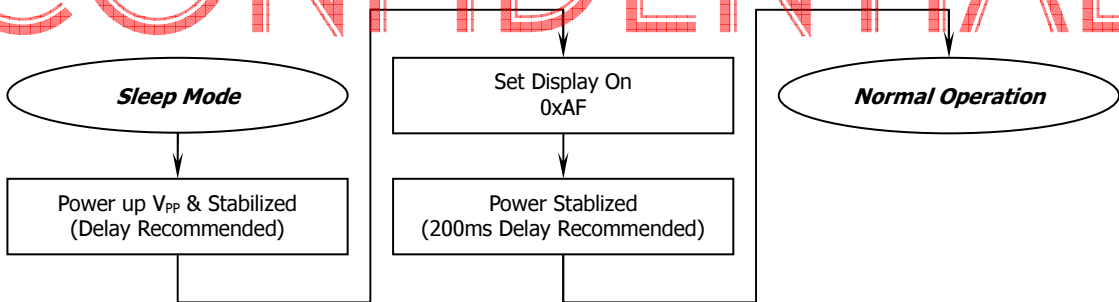
<Power down Sequence>



<Entering Sleep Mode>



<Exiting Sleep Mode>



CONFIDENTIAL

**5. Reliability**

**5.1 Contents of Reliability Tests**

Item	Conditions	Criteria
High Temperature Operation	70°C, 240 hrs	The operational functions work.
Low Temperature Operation	-40°C, 240 hrs	
High Temperature Storage	85°C, 240 hrs	
Low Temperature Storage	-40°C, 240 hrs	
High Temperature/Humidity Operation	60°C, 90% RH, 120 hrs	
Thermal Shock	-40°C ↔ 85°C, 24 cycles 30 mins dwell	

- \* The samples used for the above tests do not include polarizer.
- \* No moisture condensation is observed during tests.

**5.2 Failure Check Standard**

After the completion of the described reliability test, the samples were left at room temperature for 2 hrs prior to conducting the failure test at 23±5°C; 55±15% RH.

CONFIDENTIAL

**6. Outgoing Quality Control Specifications**

**6.1 Environment Required**

Customer's test & measurement are required to be conducted under the following conditions:

- Temperature:  $23 \pm 5^{\circ}\text{C}$
- Humidity:  $55 \pm 15\% \text{ RH}$
- Fluorescent Lamp: 30W
- Distance between the Panel & Lamp:  $\geq 50\text{cm}$
- Distance between the Panel & Eyes of the Inspector:  $\geq 30\text{cm}$
- Finger glove (or finger cover) must be worn by the inspector.
- Inspection table or jig must be anti-electrostatic.

**6.2 Sampling Plan**

Level II, Normal Inspection, Single Sampling, MIL-STD-105E

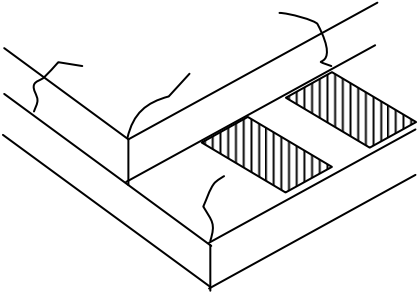

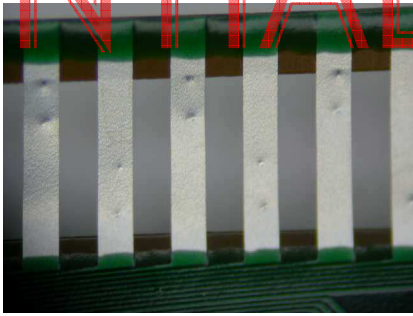
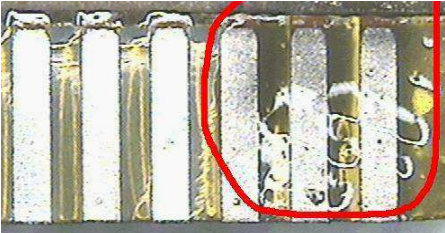
**6.3 Criteria & Acceptable Quality Level**

Partition	AQL	Definition
Major	0.65	Defects in Pattern Check (Display On)
Minor	1.0	Defects in Cosmetic Check (Display Off)

6.3.1 Cosmetic Check (Display Off) in Non-Active Area

Check Item	Classification	Criteria
Panel General Chipping	Minor	<p><math>X &gt; 6 \text{ mm}</math> (Along with Edge)  <math>Y &gt; 1 \text{ mm}</math> (Perpendicular to edge)</p>

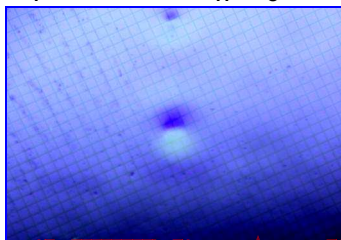
6.3.1 Cosmetic Check (Display Off) in Non-Active Area (Continued)

Check Item	Classification	Criteria
Panel Crack	Minor	Any crack is not allowable. 
Copper Exposed (Even Pin or Film)	Minor	Not Allowable by Naked Eye Inspection
Film or Trace Damage	Minor	
Terminal Lead Prober Mark	Acceptable	
Glue or Contamination on Pin (Couldn't Be Removed by Alcohol)	Minor	
Ink Marking on Back Side of panel (Exclude on Film)	Acceptable	Ignore for Any

CONFIDENTIAL

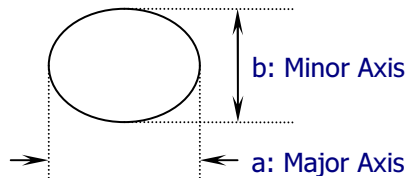
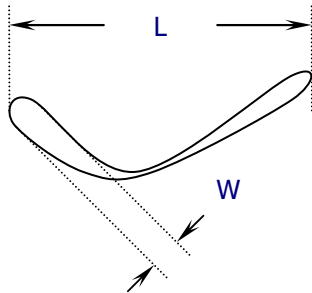
6.3.2 Cosmetic Check (Display Off) in Active Area

It is recommended to execute in clear room environment (class 10k) if actual in necessary.

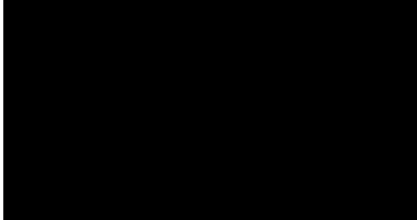
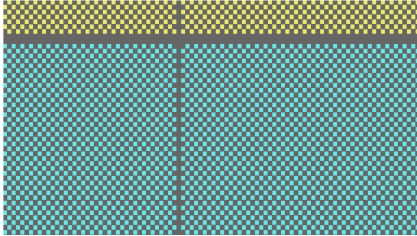
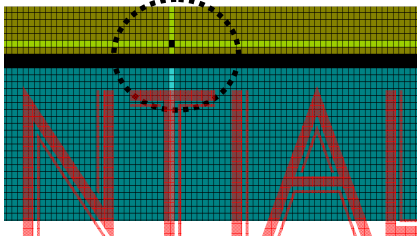
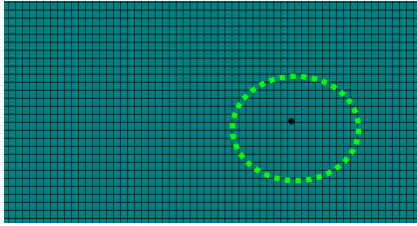
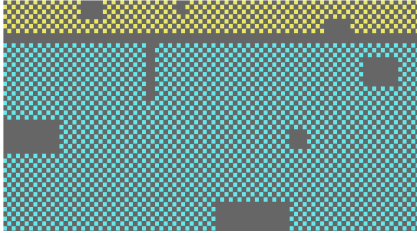
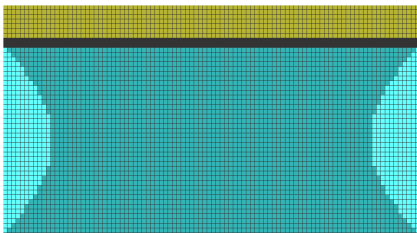
Check Item	Classification	Criteria
Any Dirt & Scratch on Polarizer's Protective Film	Acceptable	Ignore for not Affect the Polarizer
Scratches, Fiber, Line-Shape Defect (On Polarizer)	Minor	$W \leq 0.1$ Ignore $W > 0.1, L \leq 2$ $n \leq 1$ $L > 2$ $n = 0$
Dirt, Black Spot, Foreign Material, (On Polarizer)	Minor	$\Phi \leq 0.1$ Ignore $0.1 < \Phi \leq 0.25$ $n \leq 1$ $0.25 < \Phi$ $n = 0$
Dent, Bubbles, White spot (Any Transparent Spot on Polarizer)	Minor	$\Phi \leq 0.5$ → Ignore if no Influence on Display $0.5 < \Phi$ $n = 0$ 
Fingerprint, Flow Mark (On Polarizer)	Minor	Not Allowable

CONFIDENTIAL

\* Protective film should not be tear off when cosmetic check.  
 \*\* Definition of W & L &  $\Phi$  (Unit: mm):  $\Phi = (a + b) / 2$

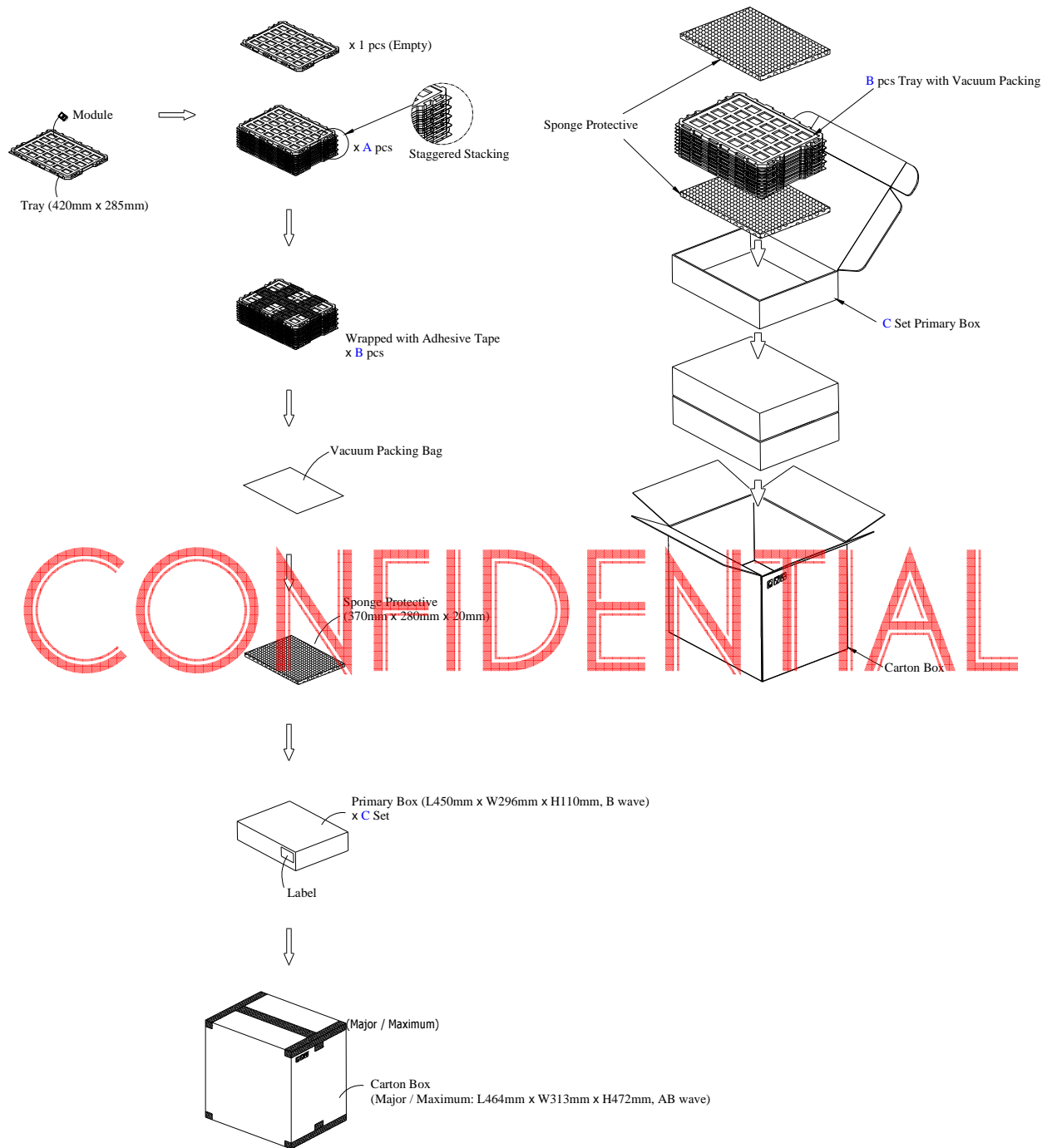


6.3.3 Pattern Check (Display On) in Active Area

Check Item	Classification	Criteria
No Display	Major	
Missing Line	Major	
Pixel Short	Major	
Darker Pixel	Major	
Wrong Display	Major	
Un-uniform	Major	

CONFIDENTIAL

**7. Package Specifications**



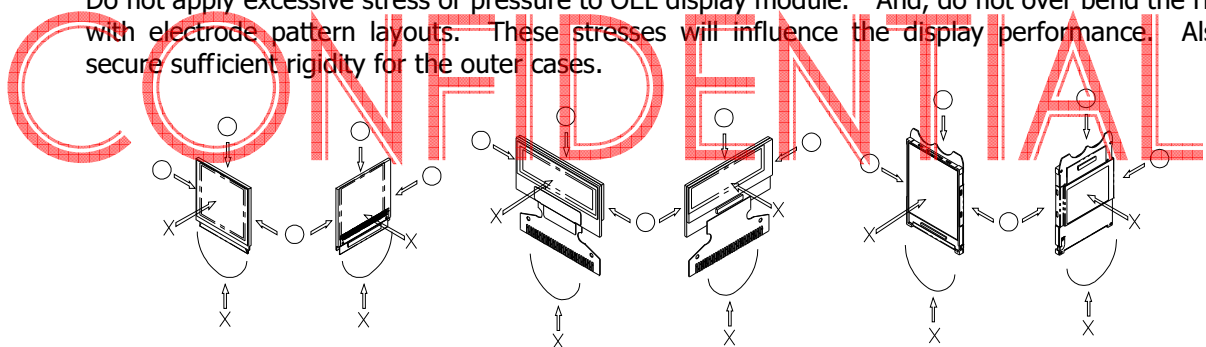
Item	Quantity	
<b>Module</b>	<b>720</b>	<b>per Primary Box</b>
<b>Holding Trays (A)</b>	<b>20</b>	<b>per Primary Box</b>
<b>Total Trays (B)</b>	<b>21</b>	<b>per Primary Box (Including 1 Empty Tray)</b>
<b>Primary Box (C)</b>	<b>1~4</b>	<b>per Carton (4 as Major / Maximum)</b>



## 8. Precautions When Using These OEL Display Modules

### 8.1 Handling Precautions

- 1) Since the display panel is being made of glass, do not apply mechanical impacts such as dropping from a high position.
- 2) If the display panel is broken by some accident and the internal organic substance leaks out, be careful not to inhale nor lick the organic substance.
- 3) If pressure is applied to the display surface or its neighborhood of the OEL display module, the cell structure may be damaged and be careful not to apply pressure to these sections.
- 4) The polarizer covering the surface of the OEL display module is soft and easily scratched. Please be careful when handling the OEL display module.
- 5) When the surface of the polarizer of the OEL display module has soil, clean the surface. It takes advantage of by using following adhesion tape.
  - \* Scotch Mending Tape No. 810 or an equivalent
 Never try to breathe upon the soiled surface nor wipe the surface using cloth containing solvent such as ethyl alcohol, since the surface of the polarizer will become cloudy.  
 Also, pay attention that the following liquid and solvent may spoil the polarizer:
  - \* Water
  - \* Ketone
  - \* Aromatic Solvents
- 6) Hold OEL display module very carefully when placing OEL display module into the system housing. Do not apply excessive stress or pressure to OEL display module. And, do not over bend the film with electrode pattern layouts. These stresses will influence the display performance. Also, secure sufficient rigidity for the outer cases.



- 7) Do not apply stress to the driver IC and the surrounding molded sections.
- 8) Do not disassemble nor modify the OEL display module.
- 9) Do not apply input signals while the logic power is off.
- 10) Pay sufficient attention to the working environments when handling OEL display modules to prevent occurrence of element breakage accidents by static electricity.
  - \* Be sure to make human body grounding when handling OEL display modules.
  - \* Be sure to ground tools to use or assembly such as soldering irons.
  - \* To suppress generation of static electricity, avoid carrying out assembly work under dry environments.
  - \* Protective film is being applied to the surface of the display panel of the OEL display module. Be careful since static electricity may be generated when exfoliating the protective film.
- 11) Protection film is being applied to the surface of the display panel and removes the protection film before assembling it. At this time, if the OEL display module has been stored for a long period of time, residue adhesive material of the protection film may remain on the surface of the display panel after removed of the film. In such case, remove the residue material by the method introduced in the above Section 5).
- 12) If electric current is applied when the OEL display module is being dewed or when it is placed under high humidity environments, the electrodes may be corroded and be careful to avoid the above.

### 8.2 Storage Precautions

- 1) When storing OEL display modules, put them in static electricity preventive bags avoiding exposure to direct sun light nor to lights of fluorescent lamps. and, also, avoiding high temperature and high

humidity environment or low temperature (less than 0°C) environments. (We recommend you to store these modules in the packaged state when they were shipped from WiseChip Semiconductor Inc.)

At that time, be careful not to let water drops adhere to the packages or bags nor let dewing occur with them.

- 2) If electric current is applied when water drops are adhering to the surface of the OEL display module, when the OEL display module is being dewed or when it is placed under high humidity environments, the electrodes may be corroded and be careful about the above.

### 8.3 Designing Precautions

- 1) The absolute maximum ratings are the ratings which cannot be exceeded for OEL display module, and if these values are exceeded, panel damage may be happen.
- 2) To prevent occurrence of malfunctioning by noise, pay attention to satisfy the  $V_{IL}$  and  $V_{IH}$  specifications and, at the same time, to make the signal line cable as short as possible.
- 3) We recommend you to install excess current preventive unit (fuses, etc.) to the power circuit ( $V_{DD}$ ). (Recommend value: 0.5A)
- 4) Pay sufficient attention to avoid occurrence of mutual noise interference with the neighboring devices.
- 5) As for EMI, take necessary measures on the equipment side basically.
- 6) When fastening the OEL display module, fasten the external plastic housing section.
- 7) If power supply to the OEL display module is forcibly shut down by such errors as taking out the main battery while the OEL display panel is in operation, we cannot guarantee the quality of this OEL display module.
- 8) The electric potential to be connected to the rear face of the IC chip should be as follows: SH1122
  - \* Connection (contact) to any other potential than the above may lead to rupture of the IC.

### 8.4 Precautions when disposing of the OEL display modules

- 1) Request the qualified companies to handle industrial wastes when disposing of the OEL display modules. Or, when burning them, be sure to observe the environmental and hygienic laws and regulations.

### 8.5 Other Precautions

- 1) When an OEL display module is operated for a long of time with fixed pattern may remain as an after image or slight contrast deviation may occur. Nonetheless, if the operation is interrupted and left unused for a while, normal state can be restored. Also, there will be no problem in the reliability of the module.
- 2) To protect OEL display modules from performance drops by static electricity rapture, etc., do not touch the following sections whenever possible while handling the OEL display modules.
  - \* Pins and electrodes
  - \* Pattern layouts such as the FPC
- 3) With this OEL display module, the OEL driver is being exposed. Generally speaking, semiconductor elements change their characteristics when light is radiated according to the principle of the solar battery. Consequently, if this OEL driver is exposed to light, malfunctioning may occur.
  - \* Design the product and installation method so that the OEL driver may be shielded from light in actual usage.
  - \* Design the product and installation method so that the OEL driver may be shielded from light during the inspection processes.
- 4) Although this OEL display module stores the operation state data by the commands and the indication data, when excessive external noise, etc. enters into the module, the internal status may be changed. It therefore is necessary to take appropriate measures to suppress noise generation or to protect from influences of noise on the system design.
- 5) We recommend you to construct its software to make periodical refreshment of the operation



statuses (re-setting of the commands and re-transference of the display data) to cope with catastrophic noise.

**CONFIDENTIAL**

***Warranty:***

The warranty period shall last twelve (12) months from the date of delivery. Buyer shall be completed to assemble all the processes within the effective twelve (12) months. WiseChip Semiconductor Inc. shall be liable for replacing any products which contain defective material or process which do not conform to the product specification, applicable drawings and specifications during the warranty period. All products must be preserved, handled and appearance to permit efficient handling during warranty period. The warranty coverage would be exclusive while the returned goods are out of the terms above.

***Notice:***

No part of this material may be reproduced or duplicated in any form or by any means without the written permission of WiseChip Semiconductor Inc. WiseChip Semiconductor Inc. reserves the right to make changes to this material without notice. WiseChip Semiconductor Inc. does not assume any liability of any kind arising out of any inaccuracies contained in this material or due to its application or use in any product or circuit and, further, there is no representation that this material is applicable to products requiring high level reliability, such as, medical products. Moreover, no license to any intellectual property rights is granted by implication or otherwise, and there is no representation or warranty that anything made in accordance with this material will be free from any patent or copyright infringement of a third party. This material or portions thereof may contain technology or the subject relating to strategic products under the control of Foreign Exchange and Foreign Trade Law of Taiwan and may require an export license from the Ministry of International Trade and Industry or other approval from another government agency.

© WiseChip Semiconductor Inc. 2017, All rights reserved.

All other product names mentioned herein are trademarks and/or registered trademarks of their respective companies.